

Specifications

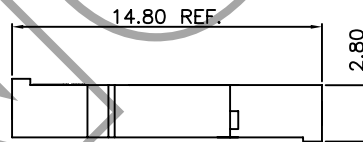
Current rating: 2A AC,DC
 Voltage rating: 250V AC,DC
 Temperature range: -40°C ~ +105°C
 Contact resistance: 20mΩ Max.
 Insulation resistance: 1000MΩ Min.
 Withstanding voltage: 800V AC/minute
 Contact E.N for Details

Standards

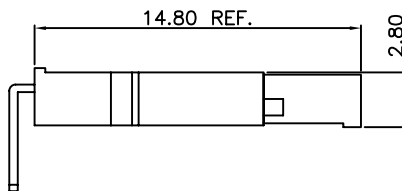


Assembly layout

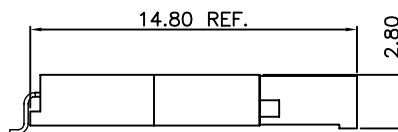
WTW TYPE



DIP TYPE



SMT TYPE



Ordering code

C2003M - I B
 ① ② ③④

- ① Series No.
- ② M:Male
- ③ Plating code: T=Tin-plated, G=Gold-flash
- ④ Material: B=Brass

C2003F - I B
 ① ② ③④

- ① Series No.
- ② F:Female
- ③ Plating code: T=Tin-plated, G=Gold-flash
- ④ Material: B=Brass

C2003 HF - NP
 ① ② ③

- ① Series No.
- ② HF=Receptacle
- ③ No. of circuits

C2003 HM - NP
 ① ② ③

- ① Series No.
- ② HM=Plug
- ③ No. of circuits

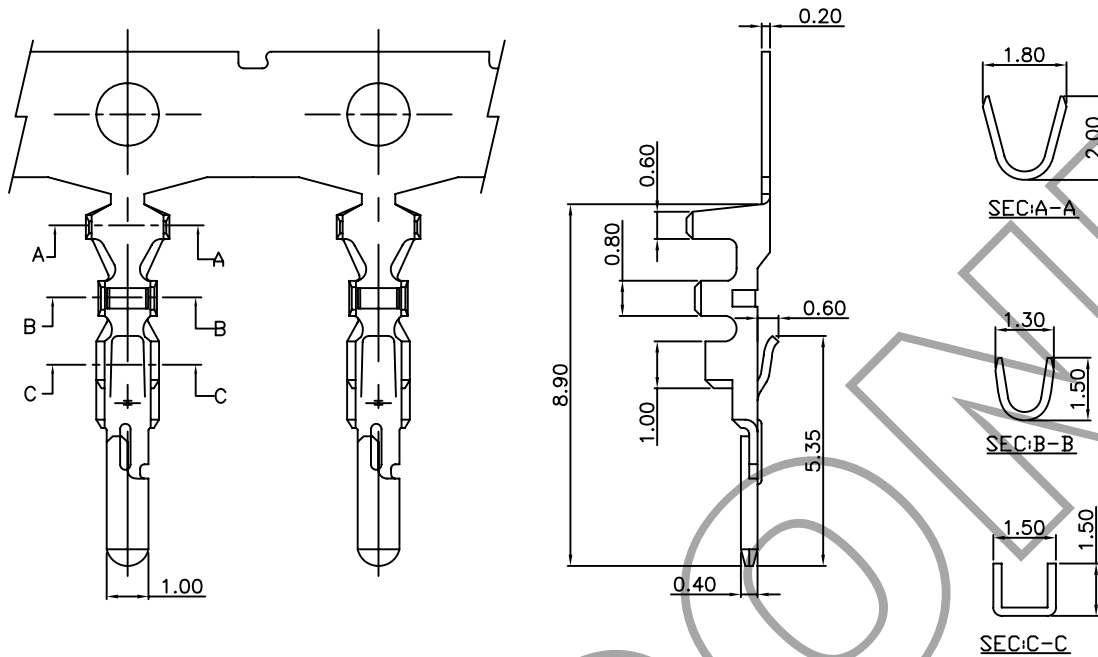
C2003 WV - NP
 ① ② ③

- ① Series No.
- ② Connector type: WV=Vertical, WR=Right angle
- ③ No. of circuits

C2003M-T — 2.00mm pitch Crimp Terminal

Reference Informations:

*Mates with E.N C2003HF series Housing



Ordering Information & Specifications

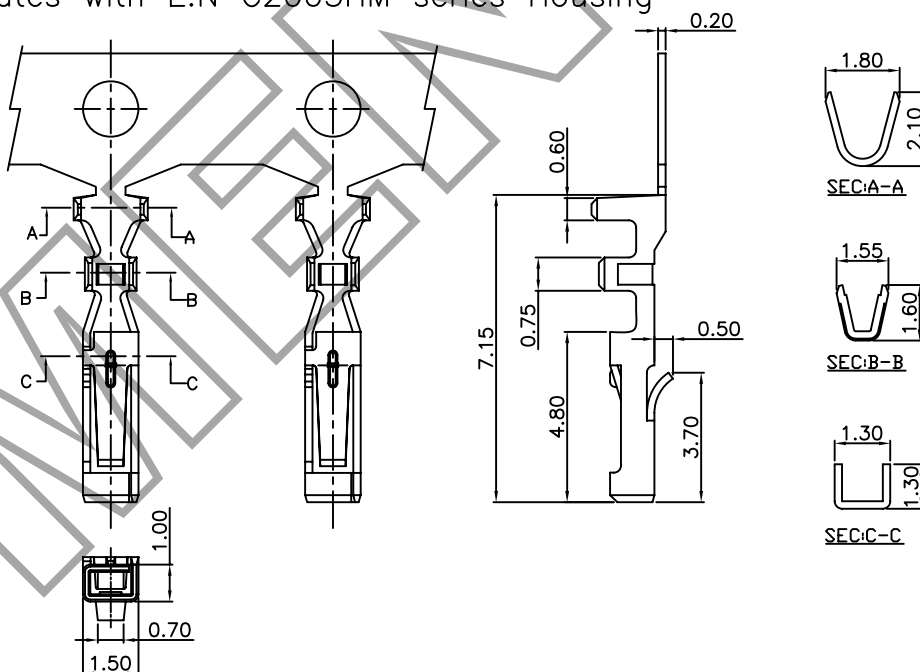
Unit: mm

Part No	Wire Range	Insulation O.D.	Material	Finish	Qty/reel
C2003M-TP	AWG#24-#28	1.15mm(max)	Brass	Tin-plated	10,000pcs

C2003F-T — 2.00mm pitch Crimp Terminal

Reference Informations:

*Mates with E.N C2003HM series Housing



Ordering Information & Specifications

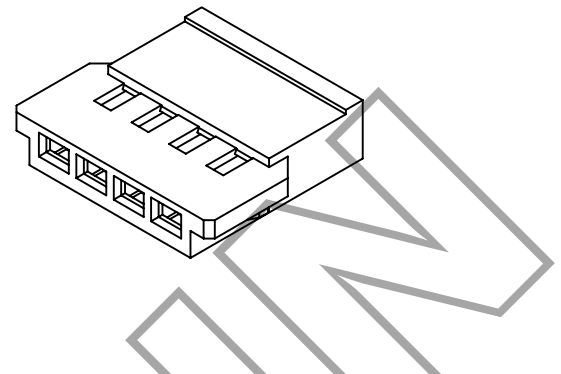
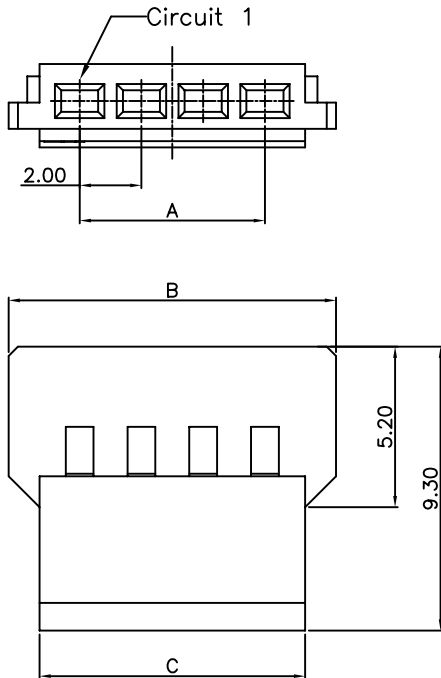
Unit: mm

Part No	Wire Range	Insulation O.D.	Material	Finish	Qty/reel
C2003F-TP	AWG#24-#28	1.15mm(max)	Brass	Tin-plated	10,000pcs

C2003HF — 2.00mm pitch Housing

Reference Informations:

- *Material: Nylon 66,UL94V-0
- *Suitable E.N C2003M Terminal
- *Mates with E.N C2003HM Housing Or C2003HF series Wafer



Ordering Information & Dimensions

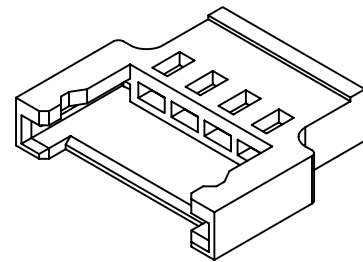
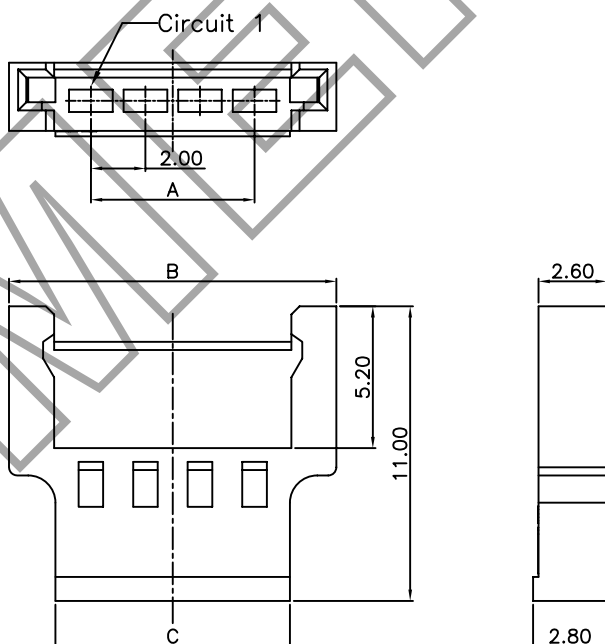
PART NO.	Dimensions		
	A	B	C
C2003HF-02P	2.00	6.60	4.60
C2003HF-03P	4.00	8.60	6.60
C2003HF-04P	6.00	10.60	8.60
C2003HF-05P	8.00	12.60	10.60
C2003HF-06P	10.00	14.60	12.60
C2003HF-07P	12.00	16.60	14.60
C2003HF-08P	14.00	18.60	16.60
C2003HF-09P	16.00	20.60	18.60
C2003HF-10P	18.00	22.60	20.60
C2003HF-11P	20.00	24.60	22.60
C2003HF-12P	22.00	26.60	24.60
C2003HF-13P	24.00	28.60	26.60

Unit: mm

C2003HM — 2.00mm pitch Housing

Reference Informations:

- *Material: Nylon 66,UL94V-0
- *Suitable E.N C2003F Terminal
- *Mates with E.N C2003HF Housing



Ordering Information & Dimensions

PART NO.	Dimensions		
	A	B	C
C2003HM-02P	2.00	8.00	4.60
C2003HM-03P	4.00	10.00	6.60
C2003HM-04P	6.00	12.00	8.60
C2003HM-05P	8.00	14.00	10.60
C2003HM-06P	10.00	16.00	12.60
C2003HM-07P	12.00	18.00	14.60
C2003HM-08P	14.00	20.00	16.60
C2003HM-09P	16.00	22.00	18.60
C2003HM-10P	18.00	24.00	20.60
C2003HM-11P	20.00	26.00	22.60
C2003HM-12P	22.00	28.00	24.60
C2003HM-13P	24.00	30.00	26.60

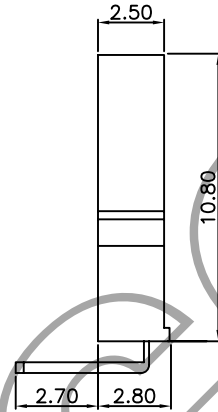
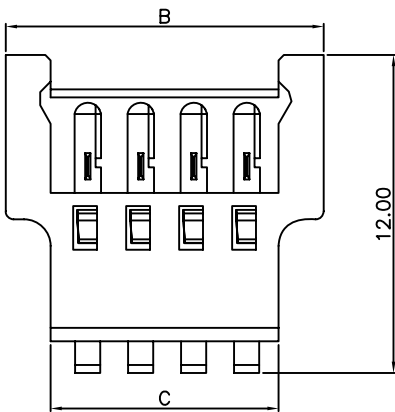
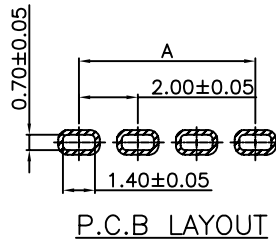
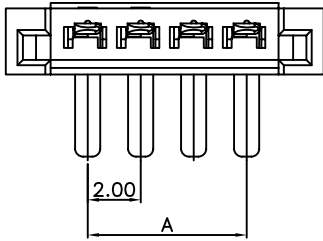
Unit: mm

C2003WR

2.00mm pitch 90° Wafer

Reference Informations:

- *Material: Pin: Phosphor Bronze/Tin-plated
Wafer:Nylon66,UL94V-0
- *Mates with E.N C2003HF series Housing



Ordering Information & Dimensions

PART NO.	Dimensions		
	A	B	C
C2003WR-02P	2.00	8.00	4.60
C2003WR-03P	4.00	10.00	6.60
C2003WR-04P	6.00	12.00	8.60
C2003WR-05P	8.00	14.00	10.60
C2003WR-06P	10.00	16.00	12.60
C2003WR-07P	12.00	18.00	14.60
C2003WR-08P	14.00	20.00	16.60

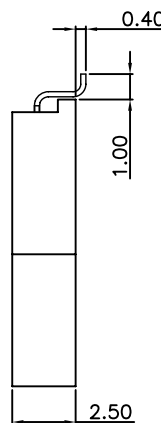
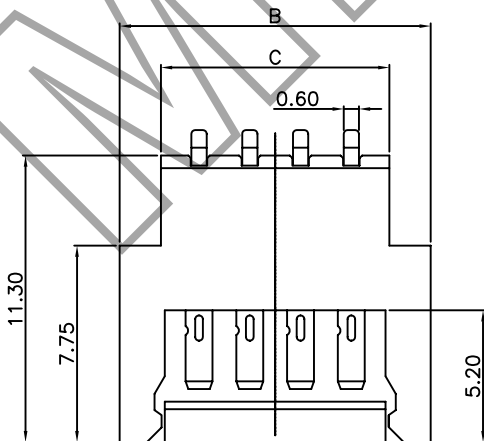
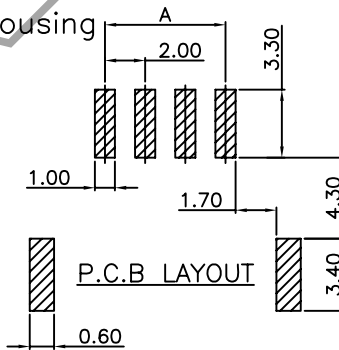
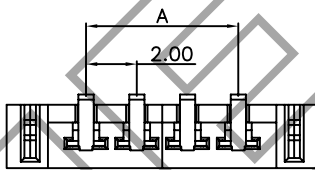
Unit: mm

C2003WR-S

2.00mm pitch 90° Wafer-SMT

Reference Informations:

- *Material: Pin: Phosphor Bronze/Tin-plated
Wafer:Nylon6T,UL94V-0
- *Mates with E.N C2003HF series Housing



Ordering Information & Dimensions

PART NO.	Dimensions		
	A	B	C
C2003WR-S-02P	2.00	8.25	5.00
C2003WR-S-03P	4.00	10.25	7.00
C2003WR-S-04P	6.00	12.25	9.00
C2003WR-S-05P	8.00	14.25	11.00
C2003WR-S-06P	10.00	16.25	13.00
C2003WR-S-07P	12.00	18.25	15.00
C2003WR-S-08P	14.00	20.25	17.00

Unit: mm