

## Specifications

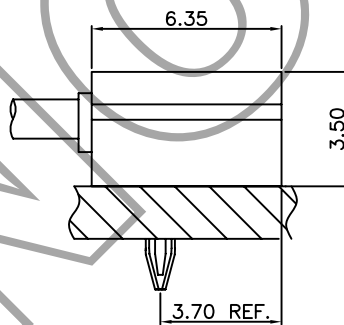
Current rating: 3A AC,DC(Per Pin)  
 Voltage rating: 250V AC,DC(Per Pin)  
 Temperature range: -40°C ~ +105°C  
 Contact resistance: 20mΩ Max.  
 Insulation resistance: 1000MΩ Min.  
 Withstanding voltage: 1000V AC/minute  
 \*Contact E.N for Details\*

## Standards



E473953

## Assembly layout



## Ordering code

B2513 I X  
 ① ② ③

- ① Series No.
- ② T=Terminal
- ③ Pating:No=Tin G=Gold

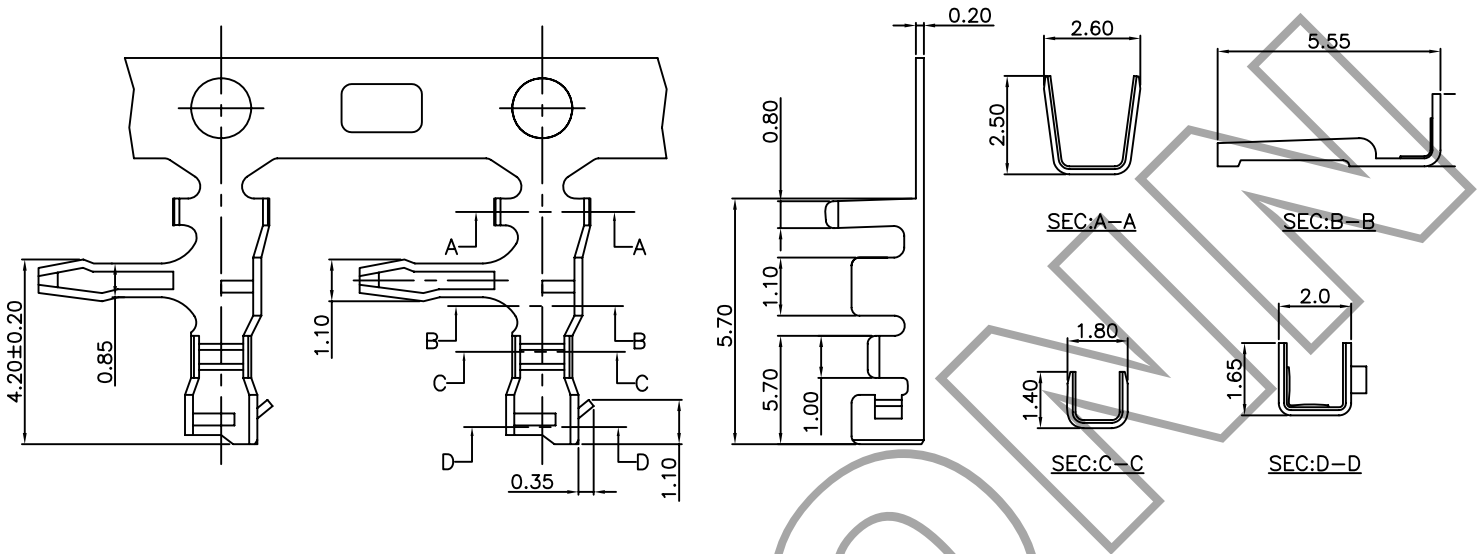
B2513 H-NP  
 ① ② ③

- ① Series No.
- ② Housing Type:H=Housing
- ③ No. of circuits

## B2513-T — 2.5mm pitch 90° Crimp Terminal

### Reference Informations:

\*Used in E.N B2013H Series Housing



### Ordering Information & Specifications

Unit: mm

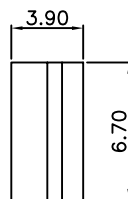
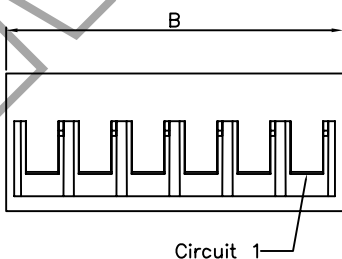
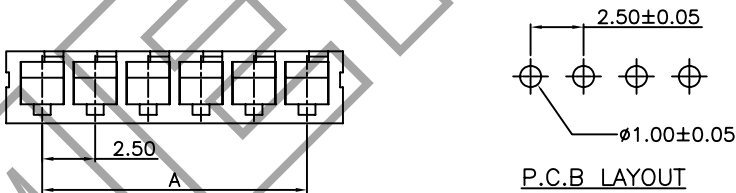
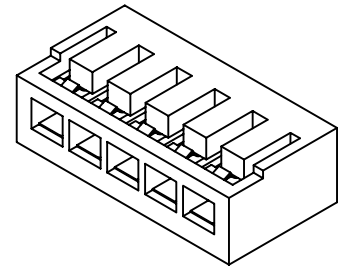
Part No	Wire Range	Insulation O.D.	Material	Finish	Qty/reel
B2513-TP	AWG#22-#28	1.70mm(max)	Brass	Tin-plated	9,000pcs

## B2513H — 2.50mm pitch 90° Housing

### Reference Informations:

\*Material: PA66 UL94V-0

\*Suitable E.N B2513 Series Terminal



### Ordering Information & Dimensions

PART NO.	Dimensions	
	A	B
B2513H-02P	2.50	6.50
B2513H-03P	5.00	9.00
B2513H-04P	7.50	11.50
B2513H-05P	10.00	14.00
B2513H-06P	12.50	19.00
B2513H-07P	15.00	21.50
B2513H-08P	17.50	24.00
B2513H-09P	20.00	26.50
B2513H-10P	22.50	29.00
B2513H-11P	25.00	31.50
B2513H-12P	27.50	34.00
B2513H-13P	30.00	36.50
B2513H-14P	32.50	39.00
B2513H-15P	35.00	41.50
B2513H-16P	37.50	44.00

Unit: mm