

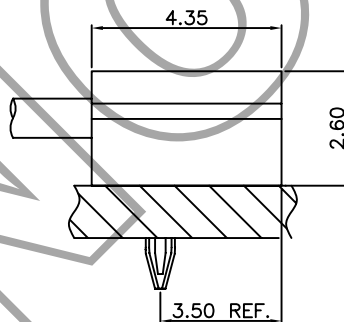
Specifications

Current rating: 1A AC,DC(Per Pin)
 Voltage rating: 200V AC,DC(Per Pin)
 Temperature range: -40°C ~ +105°C
 Contact resistance: 20mΩ Max.
 Insulation resistance: 500MΩ Min.
 Withstanding voltage: 500V AC/minute
 Contact E.N for Details

Standards



Assembly layout



Ordering code

B1502 I X
 ① ② ③

- ① Series No.
- ② T=Terminal
- ③ Pating:No=Tin G=Gold

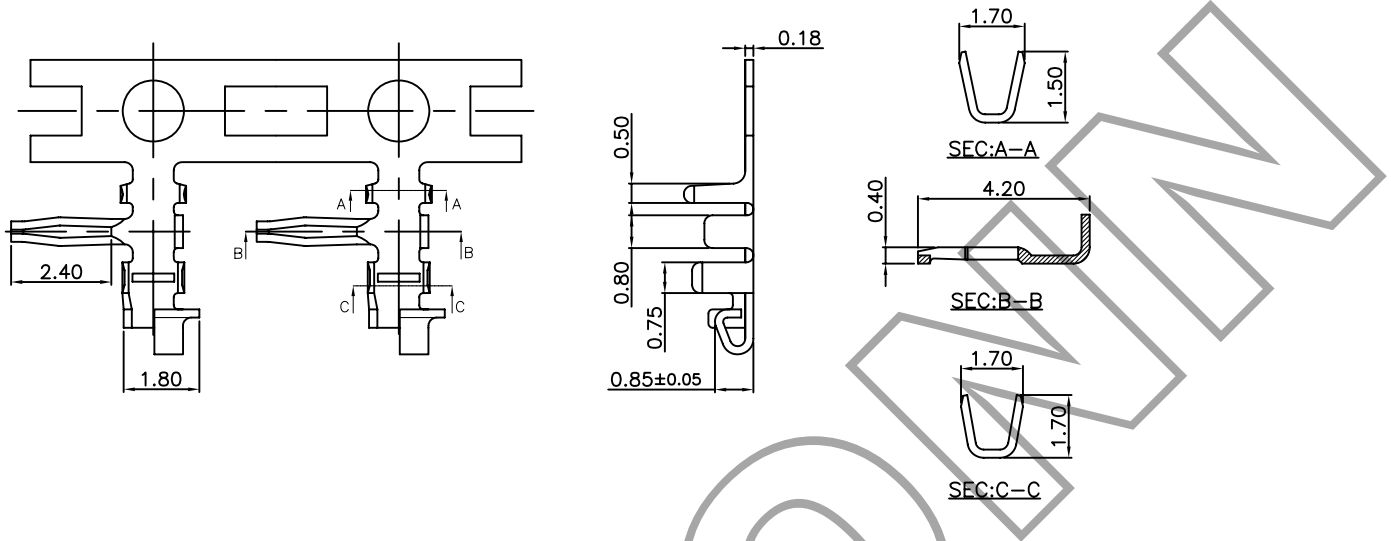
B1502 H-NP
 ① ② ③

- ① Series No.
- ② Housing Type:H=Housing
- ③ No. of circuits

B1502-T — 1.50mm pitch 90° Crimp Terminal

Reference Informations:

*Used in E.N B1501H Series Housing



Ordering Information & Specifications

Unit: mm

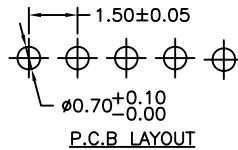
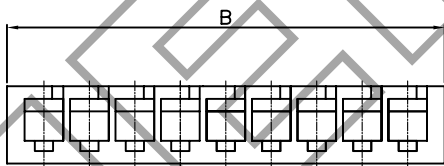
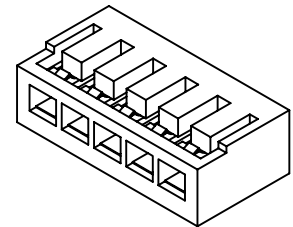
Part No	Wire Range	Insulation O.D.	Material	Finish	Qty/reel
B1502-TP	AWG#28-#30	1.00mm(max)	Phosphor Bronze	Tin-plated	15,000pcs

B1502H — 1.50mm pitch 90° Housing

Reference Informations:

*Material: PA66 UL94V-0

*Suitable E.N B1502 Series Terminal



Ordering Information & Dimensions

PART NO.	Dimensions	
	A	B
B1501H-02P	1.50	3.80
B1501H-03P	3.00	5.30
B1501H-04P	4.50	6.80
B1501H-05P	6.00	8.30
B1501H-06P	7.50	9.80
B1501H-07P	9.00	11.30
B1501H-08P	10.50	12.80
B1501H-09P	12.00	14.30
B1501H-10P	13.50	15.80
B1501H-11P	15.00	17.30
B1501H-12P	16.50	18.80
B1501H-13P	18.00	20.30
B1501H-14P	19.50	21.80
B1501H-15P	21.00	23.30
B1501H-16P	22.50	24.80
B1501H-17P	24.00	26.30
B1501H-18P	25.50	27.80
B1501H-19P	27.00	30.30
B1501H-20P	28.50	31.80

Unit: mm

