

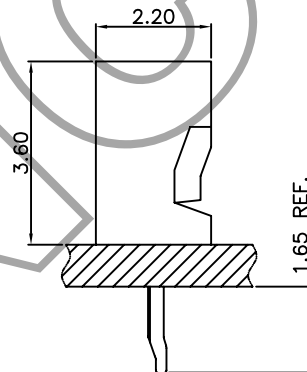
Specifications

Current rating: 1A AC,DC(Per Pin)
 Voltage rating: 125V AC,DC(Per Pin)
 Temperature range: -40°C ~ +105°C
 Contact resistance: 20mΩ Max.
 Insulation resistance: 100MΩ Min.
 Withstanding voltage: 500V AC/minute
 Contact E.N for Details

Standards

 E473953

Assembly layout



Ordering code

B1251 I X
 ① ② ③

- ① Series No.
- ② T=Terminal
- ③ Pating:No=Tin G=Gold

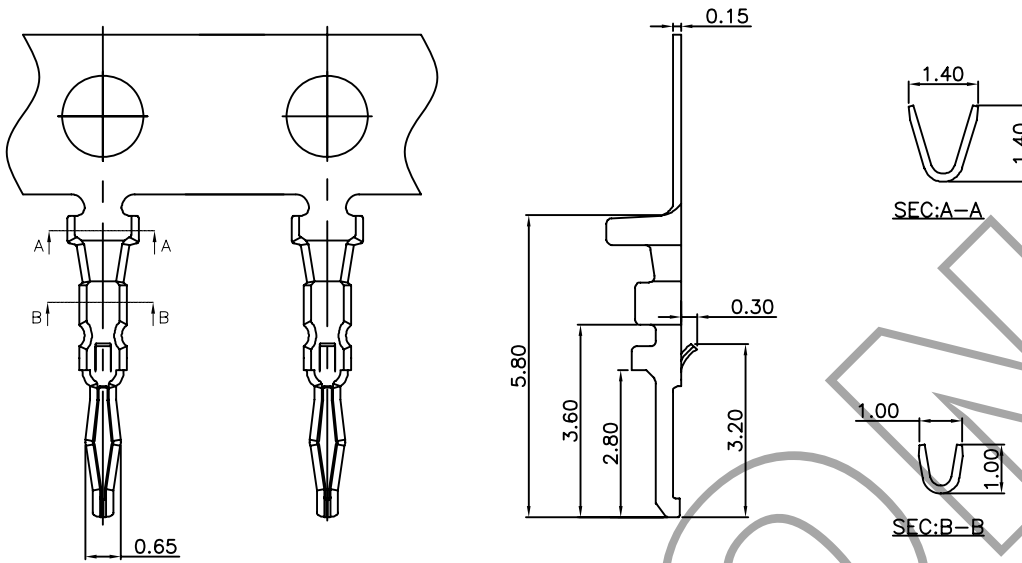
B1251 H-NP
 ① ② ③

- ① Series No.
- ② Housing Type:H=Housing
- ③ No. of circuits

B1251-T — 1.25mm pitch 180° Crimp Terminal

Reference Informations:

*Used in E.N B1251H Series Housing



Ordering Information & Specifications

Unit: mm

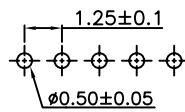
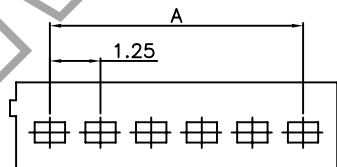
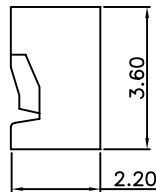
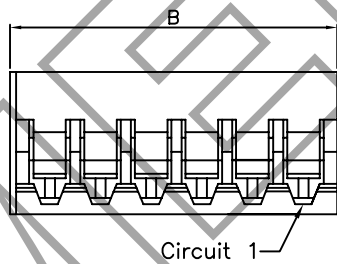
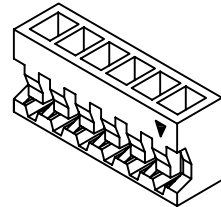
Part No	Wire Range	Insulation O.D.	Material	Finish	Qty/reel
B1251-TP	AWG#28-#32	1.00mm(max)	Phosphor Bronze	Tin-plated	15,000pcs

B1251H — 1.25mm pitch 180° Housing

Reference Informations:

*Material: PA66 UL94V-0

*Suitable E.N B1251 Series Terminal



P.C.B. LAYOUT

Ordering Information & Dimensions

PART NO.	Dimensions	
	A	B
B1251H-02P	1.25	3.00
B1251H-03P	2.50	4.25
B1251H-04P	3.75	5.50
B1251H-05P	5.00	6.75
B1251H-06P	6.25	8.00
B1251H-07P	7.50	9.25
B1251H-08P	8.75	10.50
B1251H-09P	10.00	11.75
B1251H-10P	11.25	13.00
B1251H-11P	12.50	14.25
B1251H-12P	13.75	15.50
B1251H-13P	15.00	16.75
B1251H-14P	16.25	18.00
B1251H-15P	17.50	19.25
B1251H-16P	18.75	20.50
B1251H-17P	20.00	21.75
B1251H-18P	21.75	23.00
B1251H-19P	22.50	24.25
B1251H-20P	23.75	25.50

Unit: mm