

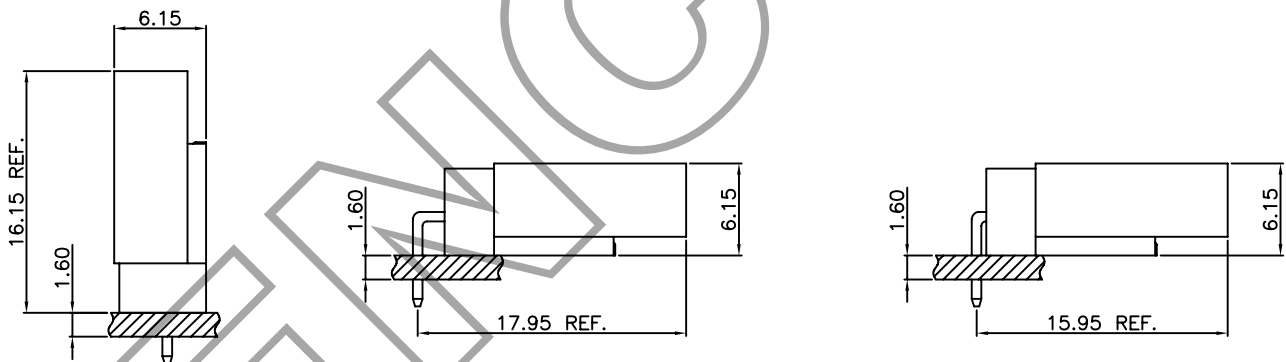
Specifications

Current rating: 3A AC,DC
 Voltage rating: 250V AC,DC
 Temperature range: -40°C ~ +105°C
 Contact resistance: 20mΩ Max.
 Insulation resistance: 100MΩ Min.
 Withstanding voltage: 1000V AC/minute
 Contact E.N for Details

Standards



Assembly layout



Ordering code

A2543 - I P
 ① ② ③

- ① Series No.
- ② Plating code: T=Tin-plated, G=Gold-flash
- ③ Material: P=Phosphor bronze

A2543 WV A - NP
 ① ② ③ ④

- ① Series No.
- ② Connector type: WV=Vertical, WR=Right angle
- ③ Blank=Normal type
A=A type
- ④ No. of circuits

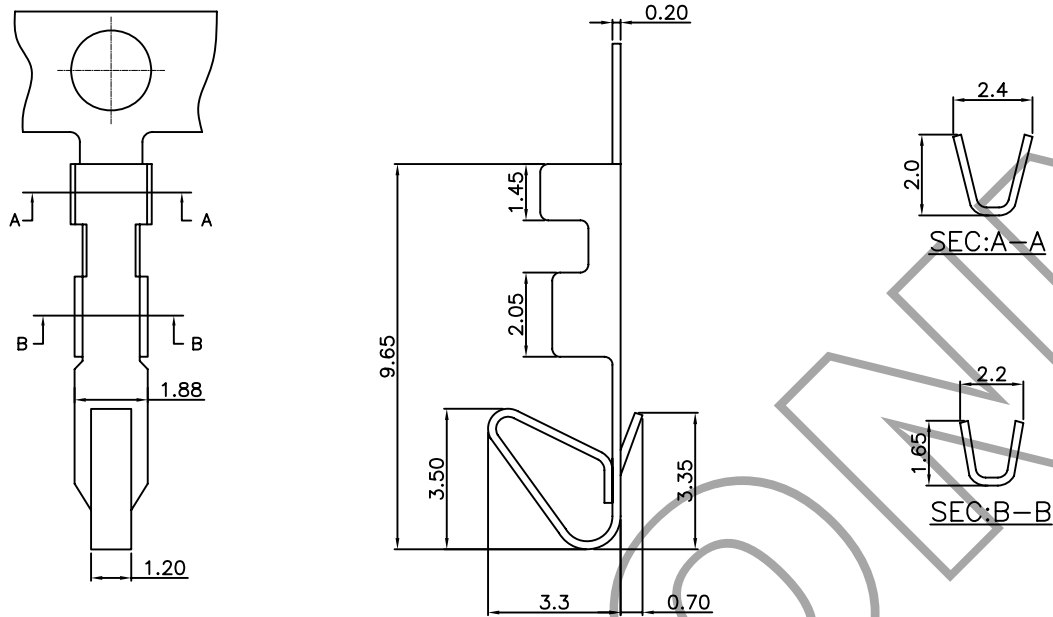
A2543 H - NP
 ① ② ③

- ① Series No.
- ② H=Housing
- ③ No. of circuits

A2543-T — 2.54mm pitch Crimp Terminal

Reference Informations:

*Mates with E.N A2543 series Housing



Ordering Information & Specifications

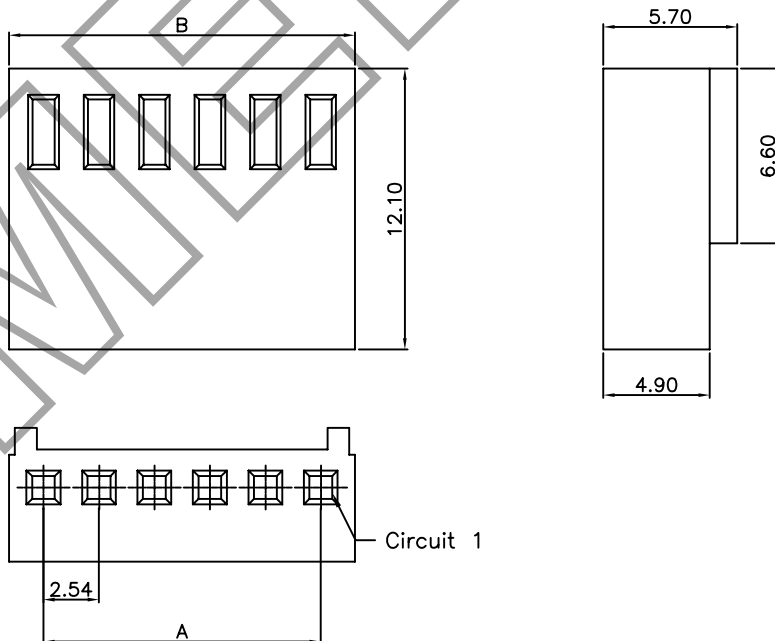
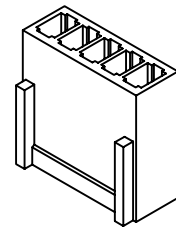
Unit: mm

Part No	Wire Range	Insulation O.D.	Material	Finish	Qty/reel
A2543-TP	AWG#24-#30	1.57mm(max)	Phosphor Bronze	Tin-plated	10,000pcs
A2543-PT	AWG#24-#30	1.57mm(max)	Phosphor Bronze	Tin-plated	10,000pcs

A2543H — 2.54mm pitch Housing

Reference Informations:

- *Material: Nylon 66,UL94V-0
- *Suitable E.N A2543 series Terminal
- *Mates with E.N A2543 series Wafer



Ordering Information & Dimensions

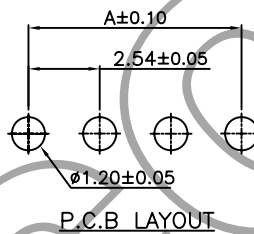
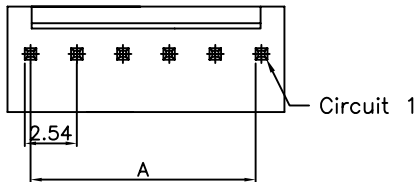
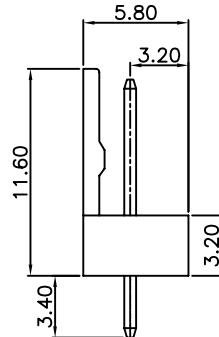
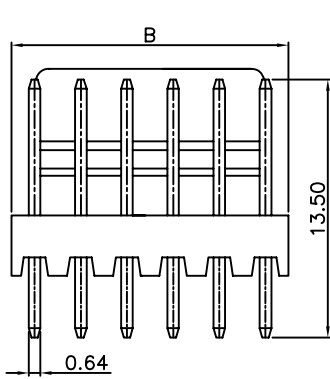
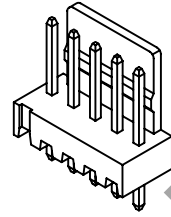
PART NO.	Dimensions	
	A	B
A2543H-02P	2.54	5.68
A2543H-03P	5.08	8.22
A2543H-04P	7.62	10.76
A2543H-05P	10.16	13.30
A2543H-06P	12.70	15.84
A2543H-07P	15.24	18.38
A2543H-08P	17.78	20.92
A2543H-09P	20.32	23.46
A2543H-10P	22.86	26.00
A2543H-11P	25.40	28.54
A2543H-12P	27.94	31.08
A2543H-13P	30.48	33.62
A2543H-14P	33.02	36.16
A2543H-15P	35.56	38.70
A2543H-16P	38.10	41.24
A2543H-17P	40.64	43.78
A2543H-18P	43.18	46.32

Unit: mm

A2543WV — 2.54mm pitch 180° Wafer

Reference Informations:

- *Material: Pin: Brass/Tin-plated
Wafer: Nylon 66,UL94V-0
- *Mates with E.N A2543 series Housing



Ordering Information & Dimensions

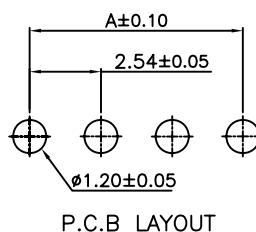
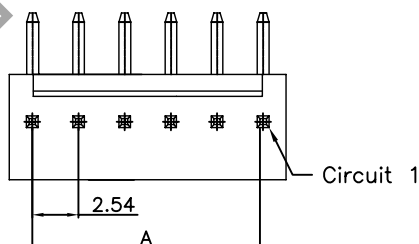
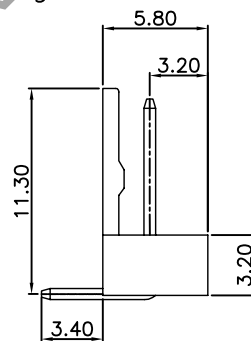
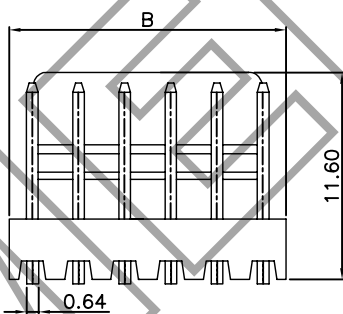
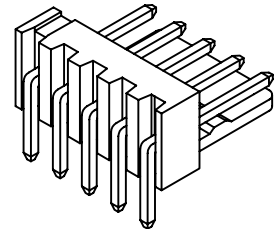
PART NO.	Dimensions	
	A	B
A2543WV-02P	2.54	5.08
A2543WV-03P	5.08	7.60
A2543WV-04P	7.62	10.16
A2543WV-05P	10.16	12.70
A2543WV-06P	12.70	15.24
A2543WV-07P	15.24	17.78
A2543WV-08P	17.78	20.32
A2543WV-09P	20.32	22.86
A2543WV-10P	22.86	25.40
A2543WV-11P	25.40	27.94
A2543WV-12P	27.94	30.48
A2543WV-13P	30.48	33.02
A2543WV-14P	33.02	35.56
A2543WV-15P	35.56	38.10
A2543WV-16P	38.10	40.64
A2543WV-17P	40.64	43.18
A2543WV-18P	43.18	45.72

Unit: mm

A2543WR — 2.54mm pitch 90° Wafer

Reference Informations:

- *Material: Pin: Brass/Tin-plated
Wafer: Nylon 66,UL94V-0
- *Mates with E.N A2543 series Housing



Ordering Information & Dimensions

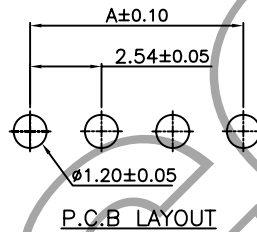
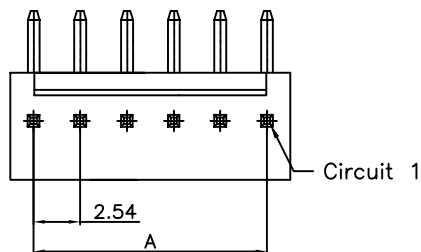
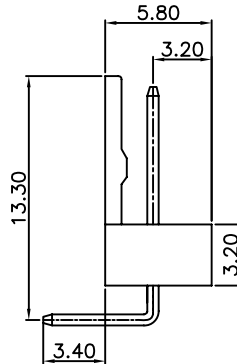
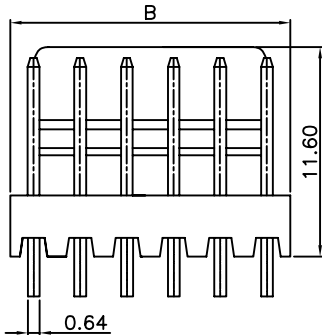
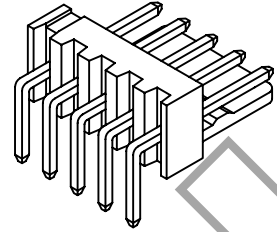
PART NO.	Dimensions	
	A	B
A2543WR-02P	2.54	5.08
A2543WR-03P	5.08	7.60
A2543WR-04P	7.62	10.16
A2543WR-05P	10.16	12.70
A2543WR-06P	12.70	15.24
A2543WR-07P	15.24	17.78
A2543WR-08P	17.78	20.32
A2543WR-09P	20.32	22.86
A2543WR-10P	22.86	25.40
A2543WR-11P	25.40	27.94
A2543WR-12P	27.94	30.48
A2543WR-13P	30.48	33.02
A2543WR-14P	33.02	35.56
A2543WR-15P	35.56	38.10
A2543WR-16P	38.10	40.64
A2543WR-17P	40.64	43.18
A2543WR-18P	43.18	45.72

Unit: mm

A2543WRA — 2.54mm pitch 90° Wafer

Reference Informations:

- *Material: Pin: Brass/Tin-plated
Wafer: Nylon 66,UL94V-0
- *Mates with E.N A2543 series Housing



Ordering Information & Dimensions

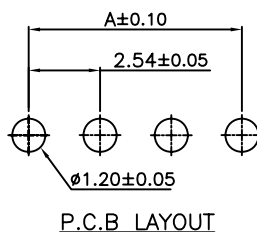
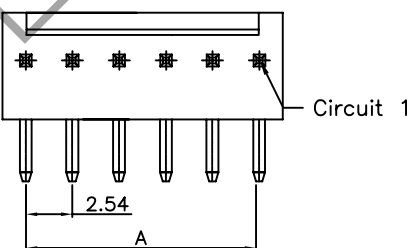
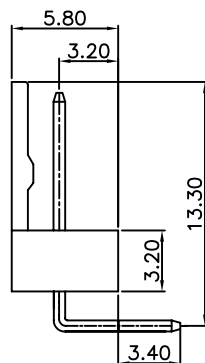
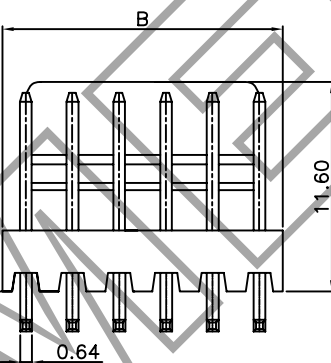
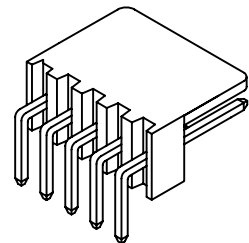
PART NO.	Dimensions	
	A	B
A2543WRA-02P	2.54	5.08
A2543WRA-03P	5.08	7.60
A2543WRA-04P	7.62	10.16
A2543WRA-05P	10.16	12.70
A2543WRA-06P	12.70	15.24
A2543WRA-07P	15.24	17.78
A2543WRA-08P	17.78	20.32
A2543WRA-09P	20.32	22.86
A2543WRA-10P	22.86	25.40
A2543WRA-11P	25.40	27.94
A2543WRA-12P	27.94	30.48
A2543WRA-13P	30.48	33.02
A2543WRA-14P	33.02	35.56
A2543WRA-15P	35.56	38.10
A2543WRA-16P	38.10	40.64
A2543WRA-17P	40.64	43.18
A2543WRA-18P	43.18	45.72

Unit: mm

A2543WRB — 2.50mm pitch 90° Wafer

Reference Informations:

- *Material: Pin: Brass/Tin-plated
Wafer: Nylon 66,UL94V-0
- *Mates with E.N A2543 series Housing



Ordering Information & Dimensions

PART NO.	Dimensions	
	A	B
A2543WRB-02P	2.54	5.08
A2543WRB-03P	5.08	7.60
A2543WRB-04P	7.62	10.16
A2543WRB-05P	10.16	12.70
A2543WRB-06P	12.70	15.24
A2543WRB-07P	15.24	17.78
A2543WRB-08P	17.78	20.32
A2543WRB-09P	20.32	22.86
A2543WRB-10P	22.86	25.40
A2543WRB-11P	25.40	27.94
A2543WRB-12P	27.94	30.48
A2543WRB-13P	30.48	33.02
A2543WRB-14P	33.02	35.56
A2543WRB-15P	35.56	38.10
A2543WRB-16P	38.10	40.64
A2543WRB-17P	40.64	43.18
A2543WRB-18P	43.18	45.72

Unit: mm