

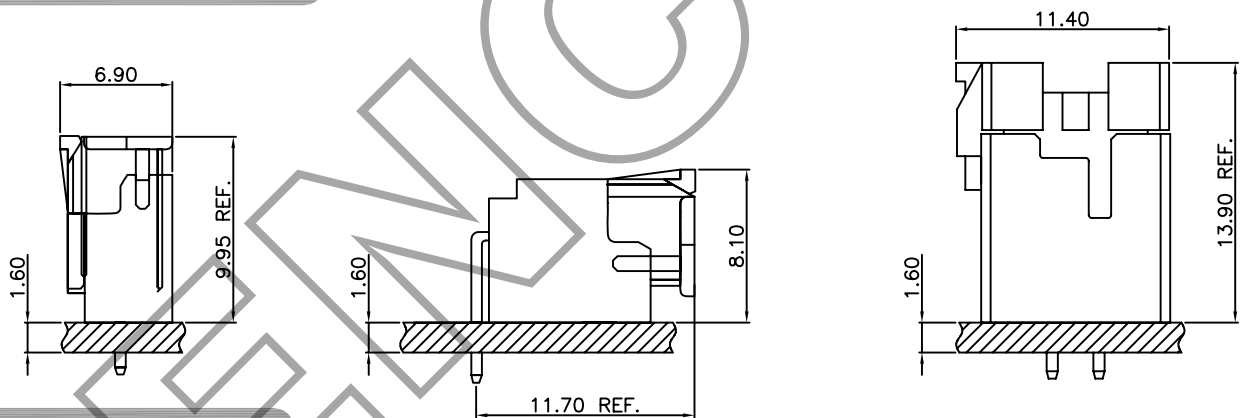
Specifications

Current rating: 3A AC,DC
 Voltage rating: 250V AC,DC
 Temperature range: -40°C ~ +105°C
 Contact resistance: 20mΩ Max.
 Insulation resistance: 100MΩ Min.
 Withstanding voltage: 1000V AC/minute
 Contact E.N for Details

Standards



Assembly layout



Ordering code

A2508 - I P
 ① ② ③

- ① Series No.
- ② Plating code: T=Tin-plated, G=Gold-flash
- ③ Material: P=Phosphor bronze

A2508 WR A -S - 2XNP
 ① ② ③ ④ ⑤ ⑥

- ① Series No.
- ② Connector type: WV=Vertical, WR=Right angle
- ③ Blank=Normal type, A=Shell type
- ④ Mounting type: SF=SMT with boss
S=SMT without boss
- ⑤ Blank=Single row, 2X=Dual row
- ⑥ No. of circuits

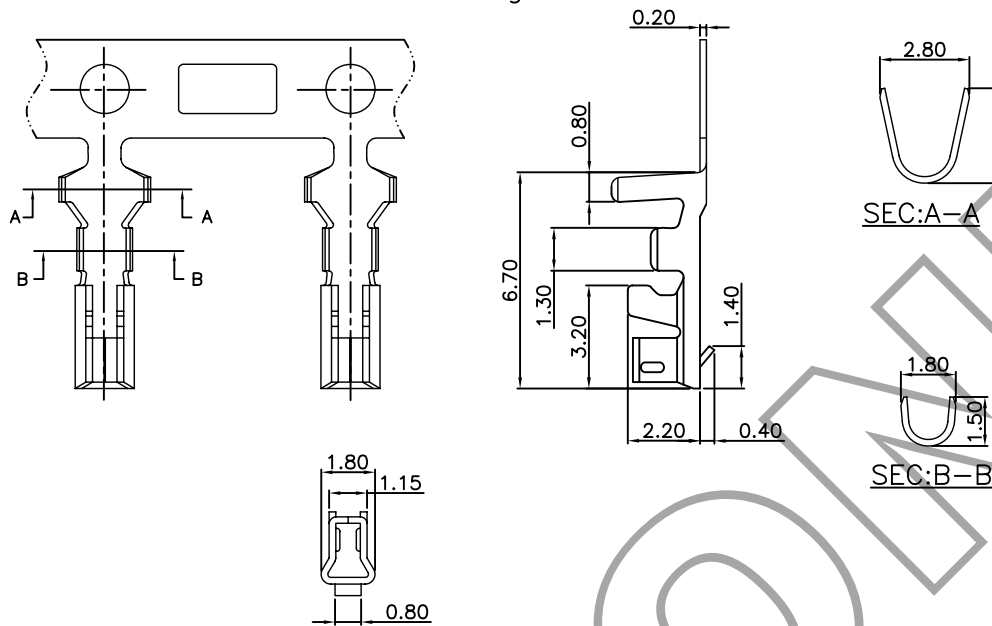
A2508 H - 2XNP
 ① ② ③ ④

- ① Series No.
- ② H=Housing
- ③ Blank=Single row, 2X=Dual row
- ④ No. of circuits

A2508-T — 2.50mm pitch Crimp Terminal

Reference Informations:

*Mates with E.N A2508 series Housing



Ordering Information & Specifications

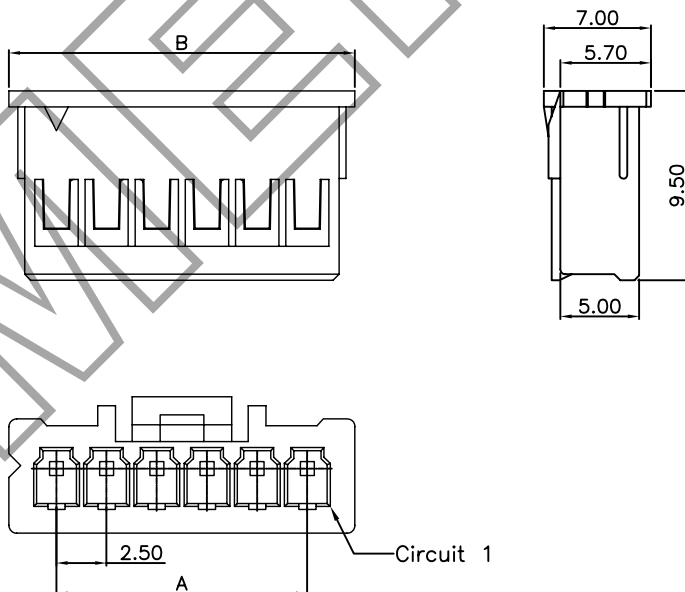
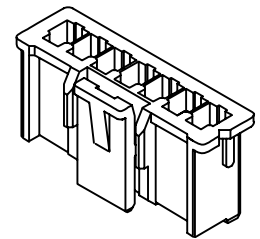
Unit: mm

Part No	Wire Range	Insulation O.D.	Material	Finish	Qty/reel
A2508-TP	AWG#22-#28	1.90mm(max)	Phosphor Bronze	Tin-plated	10,000pcs
A2508-PT	AWG#22-#28	1.90mm(max)	Phosphor Bronze	Tin-plated	10,000pcs

A2508H — 2.50mm pitch Housing

Reference Informations:

- *Material: Nylon 66,UL94V-2
- *Suitable E.N A2508 series Terminal
- *Mates with E.N A2508 series Wafer



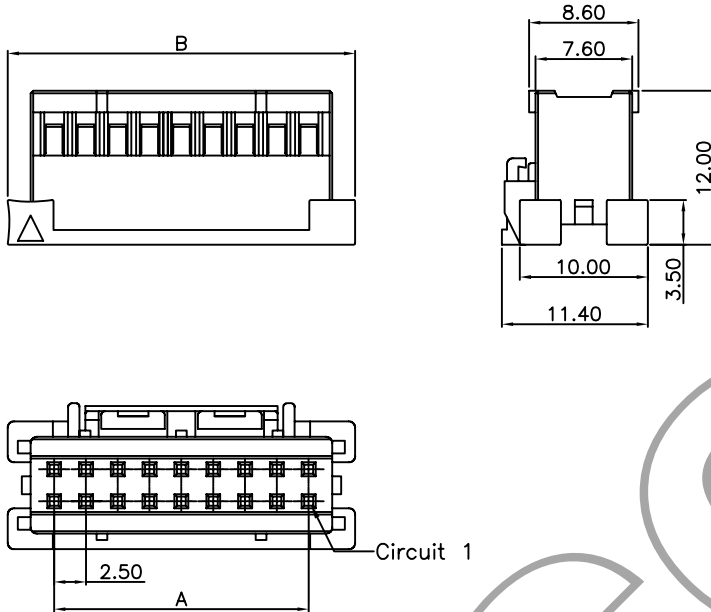
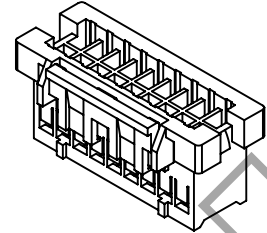
Ordering Information & Dimensions

PART NO.	Dimensions	
	A	B
A2508H-02P	2.50	7.50
A2508H-03P	5.00	10.00
A2508H-04P	7.50	12.50
A2508H-05P	10.00	15.00
A2508H-06P	12.50	17.50
A2508H-07P	15.00	20.00
A2508H-08P	17.50	22.50
A2508H-09P	20.00	25.00
A2508H-10P	22.50	27.50
A2508H-11P	25.00	30.00
A2508H-12P	27.50	32.50
A2508H-13P	30.00	35.00
A2508H-14P	32.50	37.50
A2508H-15P	35.00	40.00
A2508H-16P	37.50	42.50
A2508H-17P	40.00	45.00
A2508H-18P	42.50	47.50

A2508H-2X — 2.50mm pitch Dual Row Housing

Reference Informations:

- *Material: Nylon 66,UL94V-2
- *Suitable E.N A2508 series Terminal
- *Mates with E.N A2508 series Dual Row Wafer



Ordering Information & Dimensions

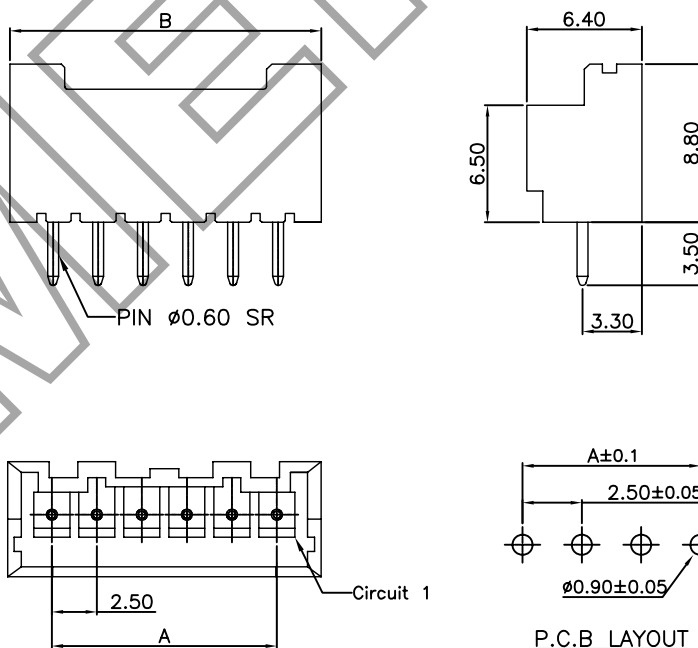
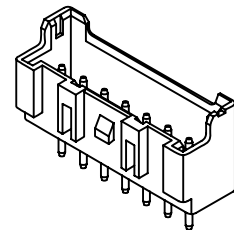
PART NO.	Dimensions	
	A	B
A2508H-2X04P	7.50	15.00
A2508H-2X05P	10.00	17.50
A2508H-2X06P	12.50	20.00
A2508H-2X07P	15.00	22.50
A2508H-2X08P	17.50	25.00
A2508H-2X09P	20.00	27.50
A2508H-2X10P	22.50	30.00
A2508H-2X11P	25.00	32.50
A2508H-2X12P	27.50	35.00
A2508H-2X13P	30.00	37.50
A2508H-2X14P	32.50	40.00
A2508H-2X15P	35.00	42.50
A2508H-2X16P	37.50	45.00
A2508H-2X17P	40.00	47.50
A2508H-2X18P	42.50	50.00
A2508H-2X19P	45.00	52.50
A2508H-2X20P	47.50	55.00

Unit: mm

A2508WV — 2.50mm pitch 180° Wafer

Reference Informations:

- *Material: Pin: Brass/Tin-plated
Wafer: Nylon 66,UL94V-0
- *Mates with E.N A2508 series Housing



Ordering Information & Dimensions

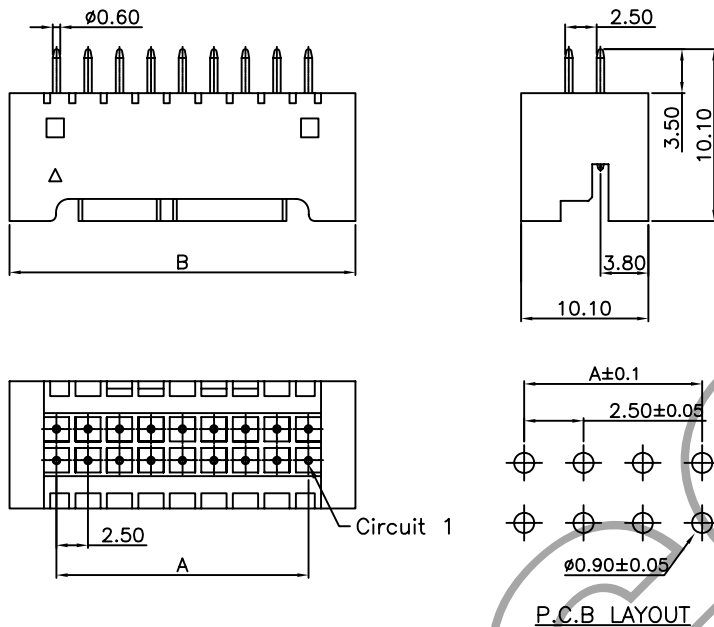
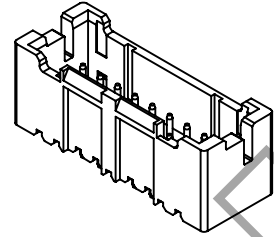
PART NO.	Dimensions	
	A	B
A2508WV-02P	2.50	7.50
A2508WV-03P	5.00	10.00
A2508WV-04P	7.50	12.50
A2508WV-05P	10.00	15.00
A2508WV-06P	12.50	17.50
A2508WV-07P	15.00	20.00
A2508WV-08P	17.50	22.50
A2508WV-09P	20.00	25.00
A2508WV-10P	22.50	27.50
A2508WV-11P	25.00	30.00
A2508WV-12P	27.50	32.50
A2508WV-13P	30.00	35.00
A2508WV-14P	32.50	37.50
A2508WV-15P	35.00	40.00
A2508WV-16P	37.50	42.50
A2508WV-17P	40.00	45.00
A2508WV-18P	42.50	47.50

Unit: mm

A2508WV-2X — 2.50mm pitch 180° Dual Row Wafer

Reference Informations:

- *Material: Pin: Phosphor Bronze/Tin-plated
Wafer: Nylon 66,UL94V-2
- *Mates with E.N A2508 series Dual Row Housing



Ordering Information & Dimensions

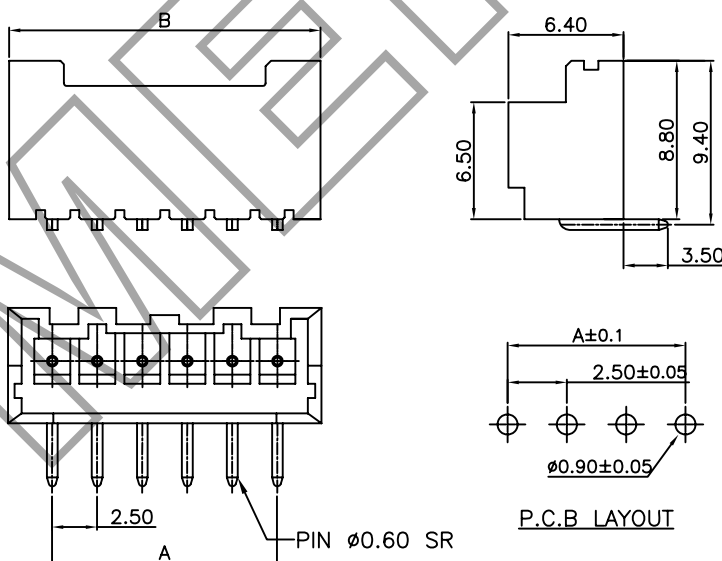
PART NO.	Dimensions	
	A	B
A2508WV-2X04P	7.50	15.00
A2508WV-2X05P	10.00	17.50
A2508WV-2X06P	12.50	20.00
A2508WV-2X07P	15.00	22.50
A2508WV-2X08P	17.50	25.00
A2508WV-2X09P	20.00	27.50
A2508WV-2X10P	22.50	30.00
A2508WV-2X11P	25.00	32.50
A2508WV-2X12P	27.50	35.00
A2508WV-2X13P	30.00	37.50
A2508WV-2X14P	32.50	40.00
A2508WV-2X15P	35.00	42.50
A2508WV-2X16P	37.50	45.00
A2508WV-2X17P	40.00	47.50
A2508WV-2X18P	42.50	50.00
A2508WV-2X19P	45.00	52.50
A2508WV-2X20P	47.50	55.00

Unit: mm

A2508WR — 2.50mm pitch 90° Wafer

Reference Informations:

- *Material: Pin: Brass/Tin-plated
Wafer: Nylon 66,UL94V-0
- *Mates with E.N A2508 series Housing



Ordering Information & Dimensions

PART NO.	Dimensions	
	A	B
A2508WR-02P	2.50	7.50
A2508WR-03P	5.00	10.00
A2508WR-04P	7.50	12.50
A2508WR-05P	10.00	15.00
A2508WR-06P	12.50	17.50
A2508WR-07P	15.00	20.00
A2508WR-08P	17.50	22.50
A2508WR-09P	20.00	25.00
A2508WR-10P	22.50	27.50
A2508WR-11P	25.00	30.00
A2508WR-12P	27.50	32.50
A2508WR-13P	30.00	35.00
A2508WR-14P	32.50	37.50
A2508WR-15P	35.00	40.00
A2508WR-16P	37.50	42.50
A2508WR-17P	40.00	45.00
A2508WR-18P	42.50	47.50

Unit: mm