

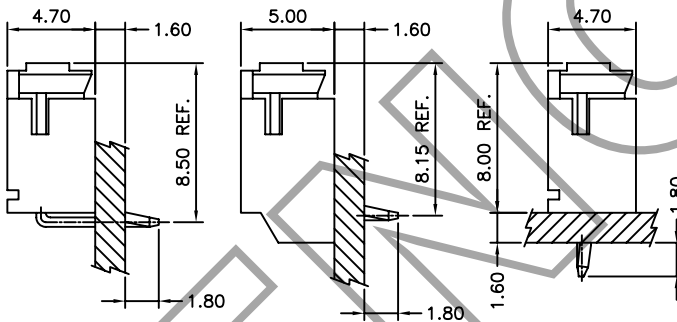
## Specifications

Current rating: 3A AC,DC  
 Voltage rating: 250V AC,DC  
 Temperature range: -40°C ~ +105°C  
 Contact resistance: 30mΩ Max.  
 Insulation resistance: 1000MΩ Min.  
 Withstanding voltage: 800V AC/minute  
 \*Contact E.N for details\*

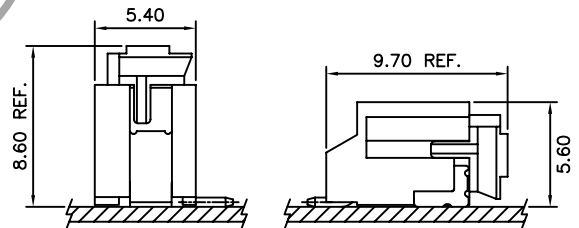
## Standards



## Assembly layout



DIP TYPE



SMT TYPE

## Ordering code

A2001 - I P  
 ① ② ③

- ① Series No.
- ② Plating code: T=Tin-plated, G=Gold-flash
- ③ Material: P=Phosphor bronze

A2001 WR - S - NP  
 ① ② ③ ④

- ① Series No.
- ② Connector type: WV=Vertical, WR=Right angle
- ③ Mounting type: Blank=Through hole  
-S=SMT
- ④ No. of circuits

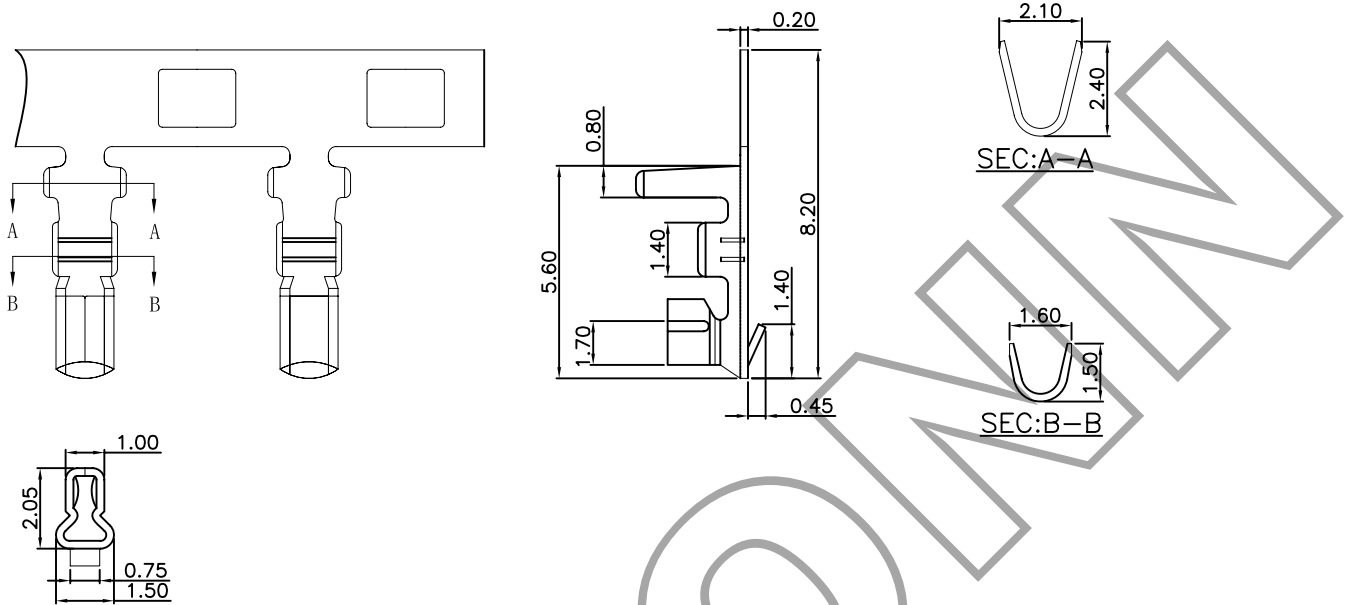
A2001 H - NP  
 ① ② ③

- ① Series No.
- ② H=Housing
- ③ No. of circuits

## A2001-T 2.00mm pitch Crimp Terminal

### Reference Informations:

\*Mates with E.N A2001 series Housing



### Ordering Information & Specifications

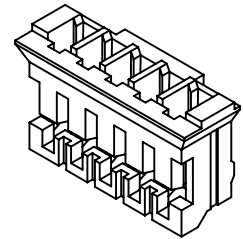
Unit: mm

Part No	Wire Range	Insulation O.D.	Material	Finish	Qty/reel
A2001-TP	AWG#24-#30	1.40mm(max)	Phosphor Bronze	Tin-plated	12,000pcs
A2001-PT	AWG#24-#30	1.40mm(max)	Phosphor Bronze	Tin-plated	12,000pcs

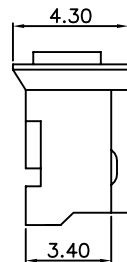
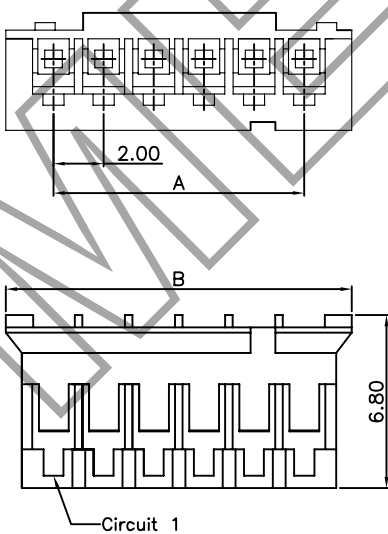
## A2001H 2.00mm pitch Housing

### Reference Informations:

- \*Material: PA66,UL94V-2
- \*Suitable E.N A2001 series Terminal
- \*Mates with E.N A2001 series Wafer



### Ordering Information & Dimensions



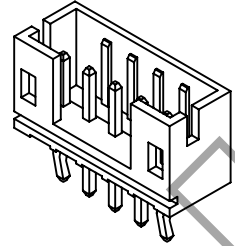
PART NO.	Dimensions	
	A	B
A2001H-02P	2.00	5.60
A2001H-03P	4.00	7.60
A2001H-04P	6.00	9.60
A2001H-05P	8.00	11.60
A2001H-06P	10.00	13.60
A2001H-07P	12.00	15.60
A2001H-08P	14.00	17.60
A2001H-09P	16.00	19.60
A2001H-10P	18.00	21.60
A2001H-11P	20.00	23.60
A2001H-12P	22.00	25.60
A2001H-13P	24.00	27.60
A2001H-14P	26.00	29.60
A2001H-15P	28.00	31.60
A2001H-16P	30.00	33.60
A2001H-17P	32.00	35.60
A2001H-18P	34.00	37.60

Unit: mm

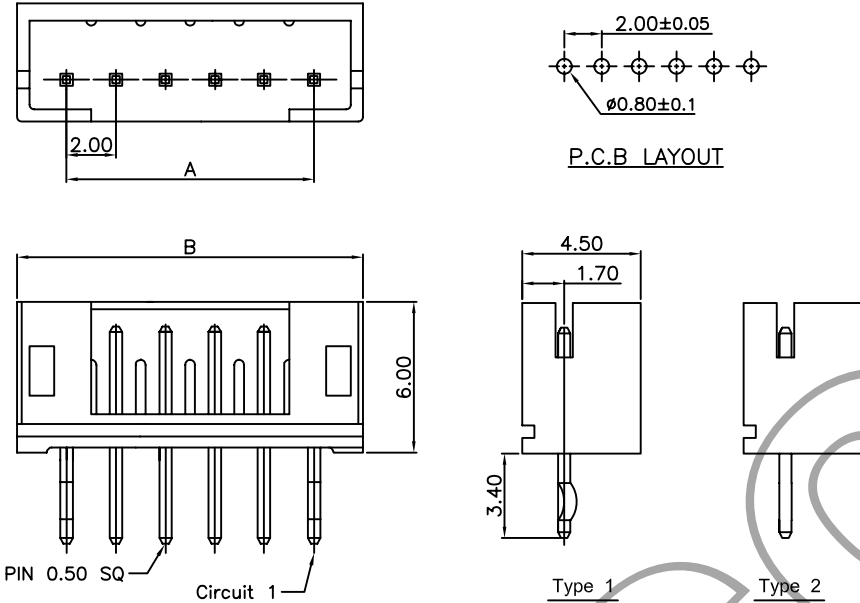
## A2001WV — 2.00mm pitch 180° Wafer

### Reference Informations:

- \*Material: Pin: Brass/Tin-plated  
Wafer: Nylon 66,UL94V-2
- \*Mates with E.N A2001 series Housing



Ordering Information & Dimensions



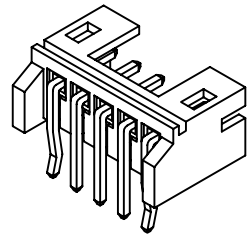
PART NO.	Dimensions	
	A	B
A2001WV-02P	2.00	6.00
A2001WV-03P	4.00	8.00
A2001WV-04P	6.00	10.00
A2001WV-05P	8.00	12.00
A2001WV-06P	10.00	14.00
A2001WV-07P	12.00	16.00
A2001WV-08P	14.00	18.00
A2001WV-09P	16.00	20.00
A2001WV-10P	18.00	22.00
A2001WV-11P	20.00	24.00
A2001WV-12P	22.00	26.00
A2001WV-13P	24.00	28.00
A2001WV-14P	26.00	30.00
A2001WV-15P	28.00	32.00
A2001WV-16P	30.00	34.00
A2001WV-17P	32.00	36.00
A2001WV-18P	34.00	38.00

Unit: mm

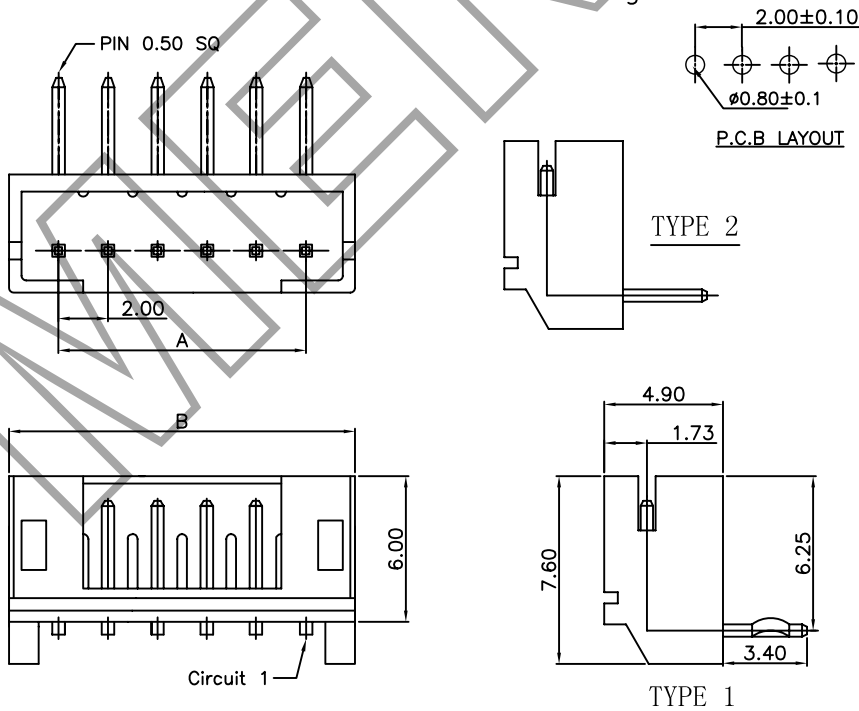
## A2001WR — 2.00mm pitch 90° Wafer

### Reference Informations:

- \*Material: Pin: Brass/Tin-plated  
Wafer: Nylon 66,UL94V-2
- \*Mates with E.N A2001 series Housing



Ordering Information & Dimensions



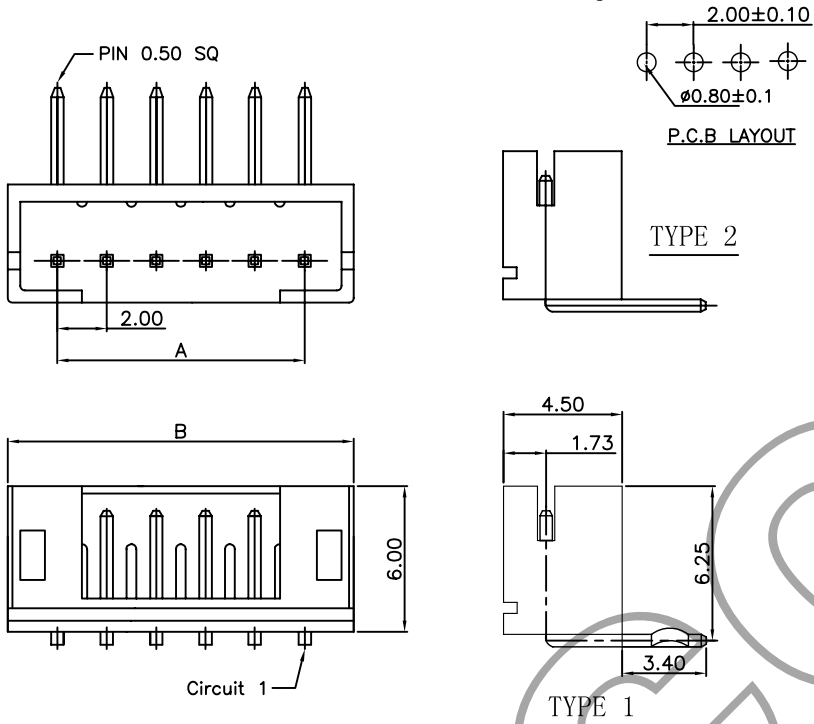
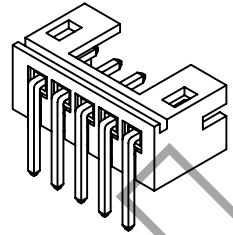
PART NO.	Dimensions	
	A	B
A2001WR-02P	2.00	6.00
A2001WR-03P	4.00	8.00
A2001WR-04P	6.00	10.00
A2001WR-05P	8.00	12.00
A2001WR-06P	10.00	14.00
A2001WR-07P	12.00	16.00
A2001WR-08P	14.00	18.00
A2001WR-09P	16.00	20.00
A2001WR-10P	18.00	22.00
A2001WR-11P	20.00	24.00
A2001WR-12P	22.00	26.00
A2001WR-13P	24.00	28.00
A2001WR-14P	26.00	30.00
A2001WR-15P	28.00	32.00
A2001WR-16P	30.00	34.00
A2001WR-17P	32.00	36.00
A2001WR-18P	34.00	38.00

Unit: mm

## A2001WVR — 2.00mm pitch 90° Wafer

### Reference Informations:

- \*Material: Pin: Brass/Tin-plated  
Wafer: Nylon 66,UL94V-2
- \*Mates with E.N A2001 series Housing



### Ordering Information & Dimensions

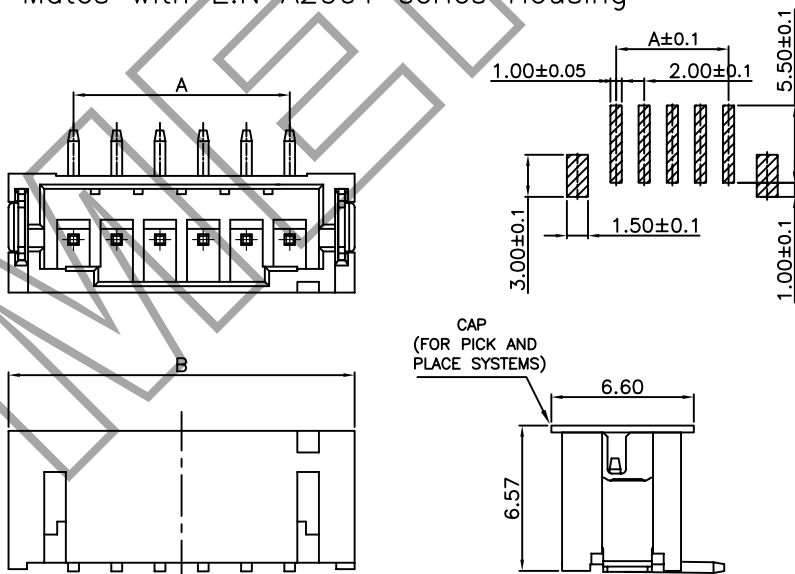
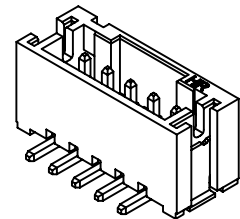
PART NO.	Dimensions	
	A	B
A2001WVR-02P	2.00	6.00
A2001WVR-03P	4.00	8.00
A2001WVR-04P	6.00	10.00
A2001WVR-05P	8.00	12.00
A2001WVR-06P	10.00	14.00
A2001WVR-07P	12.00	16.00
A2001WVR-08P	14.00	18.00
A2001WVR-09P	16.00	20.00
A2001WVR-10P	18.00	22.00
A2001WVR-11P	20.00	24.00
A2001WVR-12P	22.00	26.00
A2001WVR-13P	24.00	28.00
A2001WVR-14P	26.00	30.00
A2001WVR-15P	28.00	32.00
A2001WVR-16P	30.00	34.00
A2001WVR-17P	32.00	36.00
A2001WVR-18P	34.00	38.00

Unit: mm

## A2001WV-S — 2.00mm pitch 180° Wafer — SMT TYPE

### Reference Informations:

- \*Material: Pin: Brass/Tin-plated  
Solder Tabs: Brass/Tin-plated  
Wafer: LCP/PA9T UL94V-0
- \*Mates with E.N A2001 series Housing



### Ordering Information & Dimensions

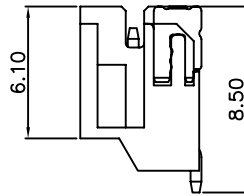
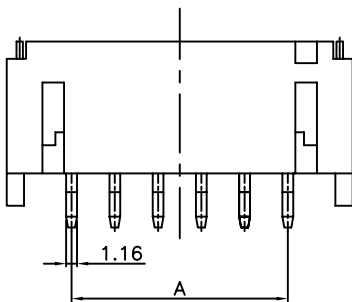
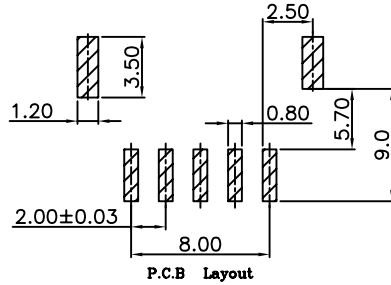
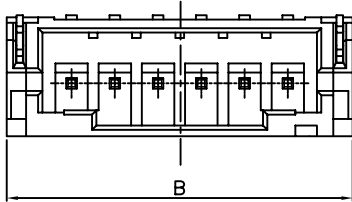
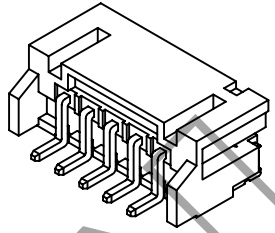
PART NO.	Dimensions	
	A	B
A2001WV-S-02P	2.00	8.00
A2001WV-S-03P	4.00	10.00
A2001WV-S-04P	6.00	12.00
A2001WV-S-05P	8.00	14.00
A2001WV-S-06P	10.00	16.00
A2001WV-S-07P	12.00	18.00
A2001WV-S-08P	14.00	20.00
A2001WV-S-09P	16.00	22.00
A2001WV-S-10P	18.00	24.00
A2001WV-S-11P	20.00	26.00
A2001WV-S-12P	22.00	28.00
A2001WV-S-13P	24.00	30.00
A2001WV-S-14P	26.00	32.00
A2001WV-S-15P	28.00	34.00
A2001WV-S-16P	30.00	36.00
A2001WV-S-17P	32.00	38.00
A2001WV-S-18P	34.00	40.00

Unit: mm

## A2001WR-S — 2.00mm pitch 90° Wafer — SMT TYPE

### Reference Informations:

- \*Material: Pin: Brass/Tin-plated  
Solder Tabs: Brass/Tin-plated  
Wafer: LCP/PA9T,UL94V-0
- \*Mates with E.N A2001 series Housing



### Ordering Information & Dimensions

PART NO.	Dimensions	
	A	B
A2001WR-S-02P	2.00	8.00
A2001WR-S-03P	4.00	10.00
A2001WR-S-04P	6.00	12.00
A2001WR-S-05P	8.00	14.00
A2001WR-S-06P	10.00	16.00
A2001WR-S-07P	12.00	18.00
A2001WR-S-08P	14.00	20.00
A2001WR-S-09P	16.00	22.00
A2001WR-S-10P	18.00	24.00
A2001WR-S-11P	20.00	26.00
A2001WR-S-12P	22.00	28.00
A2001WR-S-13P	24.00	30.00
A2001WR-S-14P	26.00	32.00
A2001WR-S-15P	28.00	34.00
A2001WR-S-16P	30.00	36.00
A2001WR-S-17P	32.00	38.00
A2001WR-S-18P	34.00	40.00

Unit: mm