

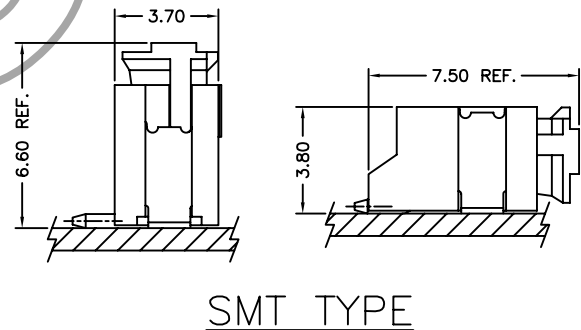
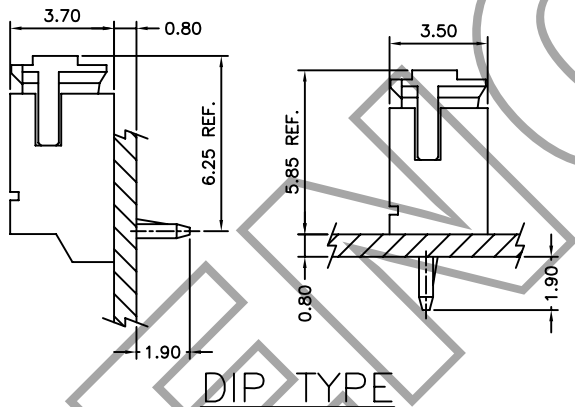
## Specifications

Current rating: 2A AC,DC  
 Voltage rating: 125V AC,DC  
 Temperature range: -25°C ~ +85°C  
 Contact resistance: 20mΩ Max.  
 Insulation resistance: 500MΩ Min.  
 Withstanding voltage: 500V AC/minute  
 \*Contact E.N for details\*

## Standards



## Assembly layout



## Ordering code

A1501 - I P  
 ① ② ③

- ① Series No.
- ② Plating code: T=Tin-plated, G=Gold-flash
- ③ Material: P=Phosphor bronze

A1501 WR - S - NP  
 ① ② ③ ④

- ① Series No.
- ② Connector type: WV=Vertical, WR=Right angle
- ③ Mounting type: Blank=Through hole  
-S=SMT
- ④ No. of circuits

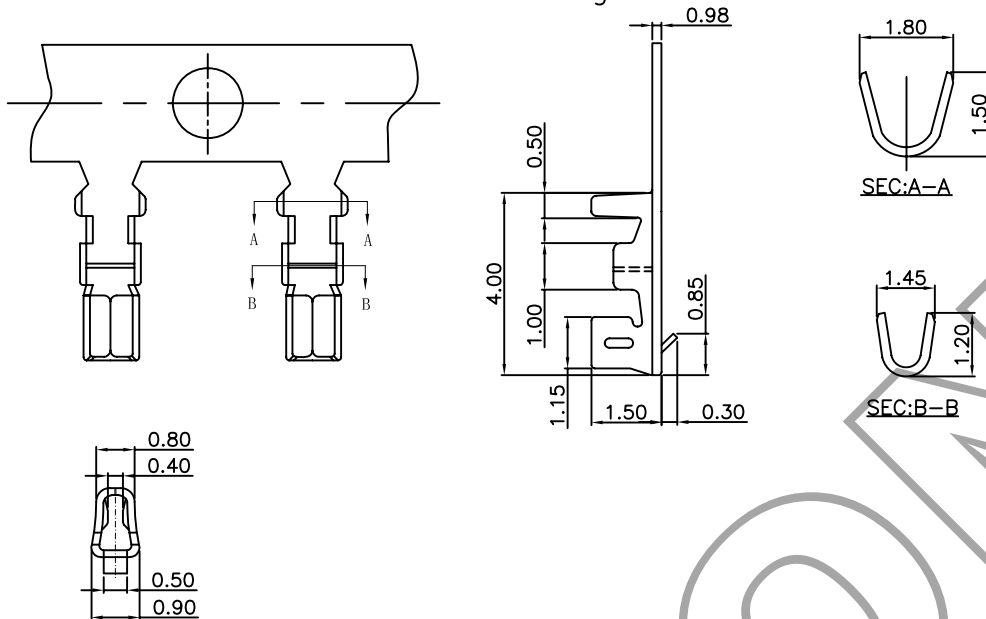
A1501 H - NP  
 ① ② ③

- ① Series No.
- ② H=Housing
- ③ No. of circuits

## A1501-T — 1.50mm pitch Crimp Terminal

### Reference Informations:

\*Mates with E.N A2001 series Housing



### Ordering Information & Specifications

Unit: mm

Part No	Wire Range	Insulation O.D.	Material	Finish	Qty/reel
A1501-TP	AWG#26-#32	1.10mm(max)	Phosphor Bronze	Tin-plated	10,000pcs
A1501-PT	AWG#26-#32	1.10mm(max)	Phosphor Bronze	Tin-plated	10,000pcs

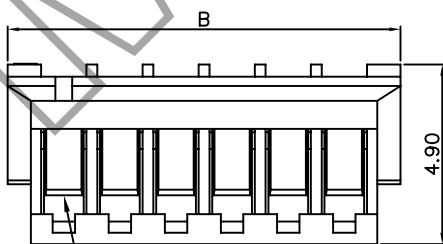
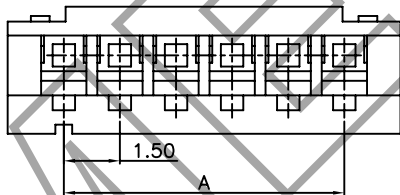
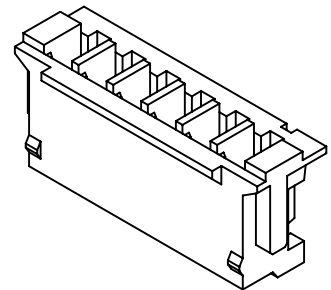
## A1501H — 1.50mm pitch Housing

### Reference Informations:

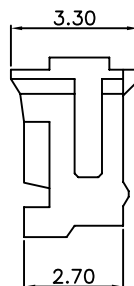
\*Material: PA66,UL94V-2

\*Suitable E.N A1501 series Terminal

\*Mates with E.N A1501 series Wafer



Circuit 1



### Ordering Information & Dimensions

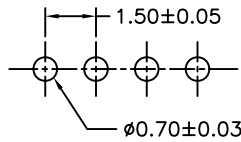
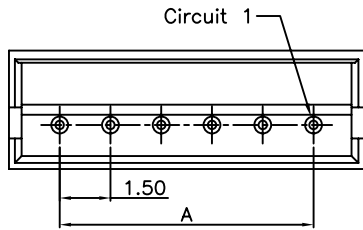
PART NO.	Dimensions	
	A	B
A1501H-02P	1.50	4.50
A1501H-03P	3.00	6.00
A1501H-04P	4.50	7.50
A1501H-05P	6.00	9.00
A1501H-06P	7.50	10.50
A1501H-07P	9.00	12.00
A1501H-08P	10.50	13.50
A1501H-09P	12.00	15.00
A1501H-10P	13.50	16.50
A1501H-11P	15.00	18.00
A1501H-12P	16.50	19.50
A1501H-13P	18.00	21.00
A1501H-14P	19.50	22.50
A1501H-15P	21.00	24.00

Unit: mm

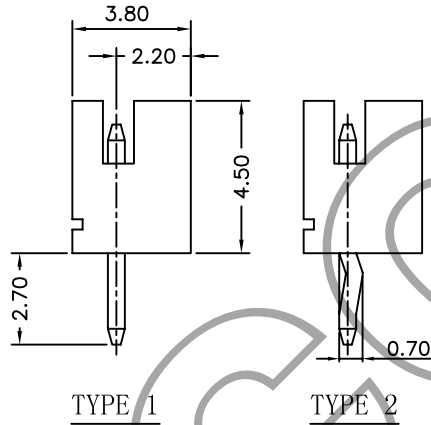
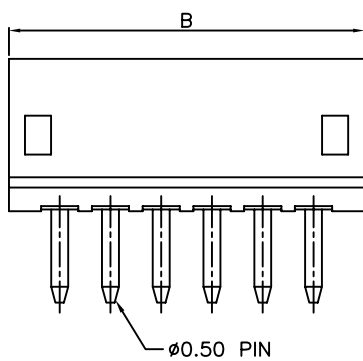
## A1501WV — 1.50mm pitch 180° Wafer

### Reference Informations:

- \*Material: Pin: Brass/Tin-plated  
Wafer: Nylon 66,UL94V-2
- \*Mates with E.N A1501 series Housing



P.C.B LAYOUT



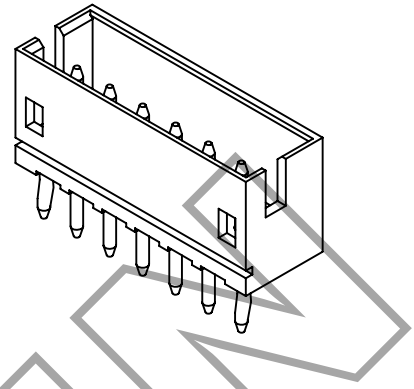
TYPE 1

TYPE 2

### Ordering Information & Dimensions

PART NO.	Dimensions	
	A	B
A1501WV-02P	1.50	4.50
A1501WV-03P	3.00	6.00
A1501WV-04P	4.50	7.50
A1501WV-05P	6.00	9.00
A1501WV-06P	7.50	10.50
A1501WV-07P	9.00	12.00
A1501WV-08P	10.50	13.50
A1501WV-09P	12.00	15.00
A1501WV-10P	13.50	16.50
A1501WV-11P	15.00	18.00
A1501WV-12P	16.50	19.50

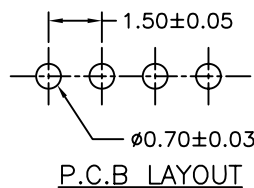
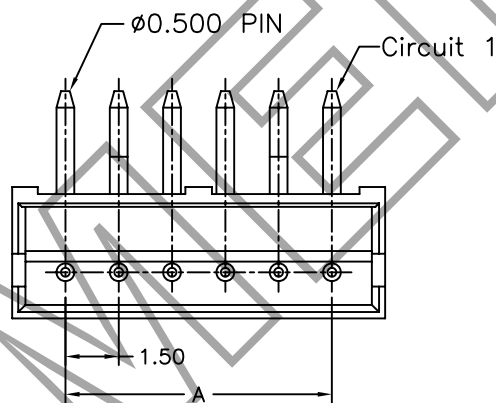
Unit: mm



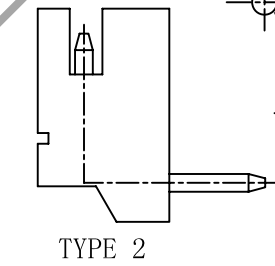
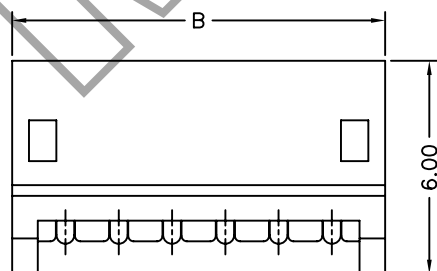
## A1501WR — 1.50mm pitch 90° Wafer

### Reference Informations:

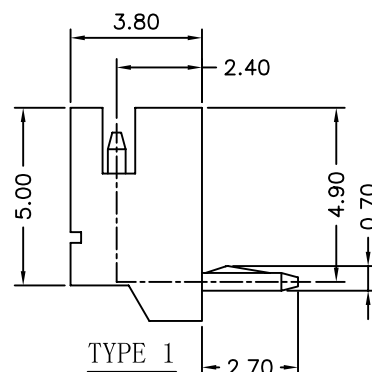
- \*Material: Pin: Brass/Tin-plated  
Wafer: Nylon 66,UL94V-2
- \*Mates with E.N A1501 series Housing



P.C.B LAYOUT



TYPE 2

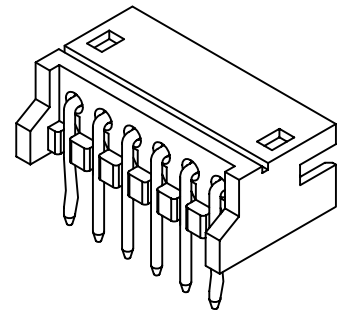


TYPE 1

### Ordering Information & Dimensions

PART NO.	Dimensions	
	A	B
A1501WR-02P	1.50	6.00
A1501WR-03P	3.00	7.50
A1501WR-04P	4.50	9.00
A1501WR-05P	6.00	10.50
A1501WR-06P	7.50	12.00
A1501WR-07P	9.00	13.50
A1501WR-08P	10.50	15.00
A1501WR-09P	12.00	16.50
A1501WR-10P	13.50	18.00
A1501WR-11P	15.00	19.50
A1501WR-12P	16.50	21.00

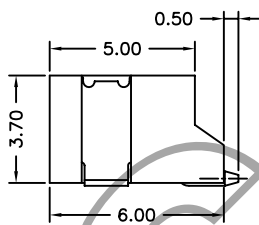
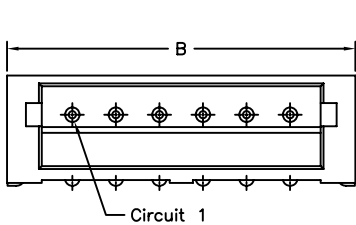
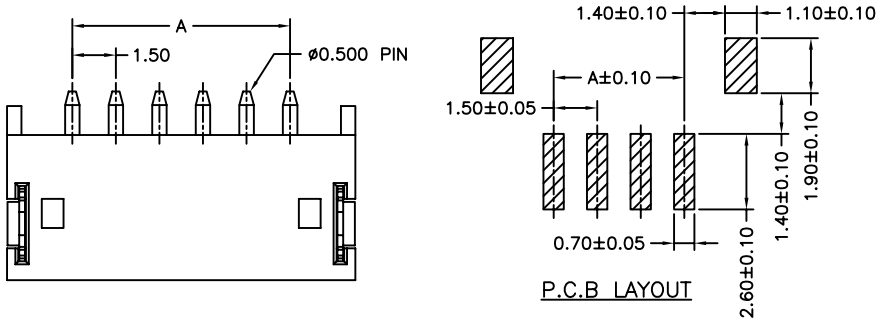
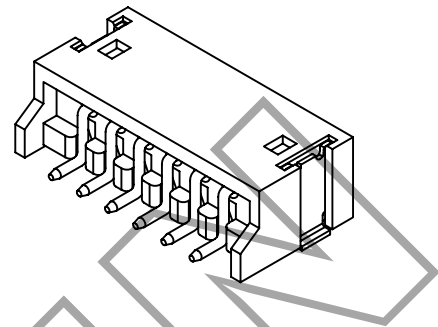
Unit: mm



## A1501WR-S — 1.50mm pitch 180° Wafer — SMT TYPE

### Reference Informations:

- \*Material: Pin: Brass/Tin-plated  
Solder Tabs: Brass/Tin-plated  
Wafer: LCP/PA6T,UL94V-0
- \*Mates with E.N A1501 series Housing



### Ordering Information & Dimensions

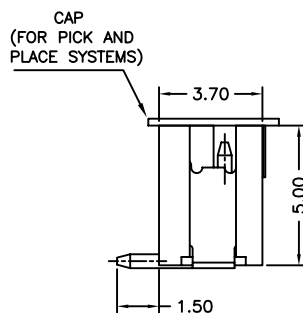
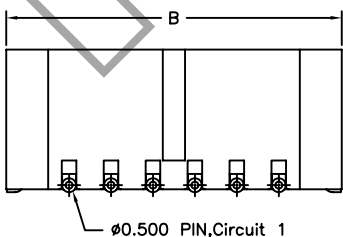
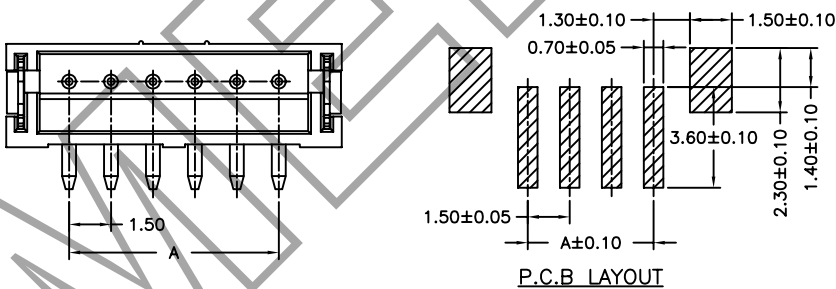
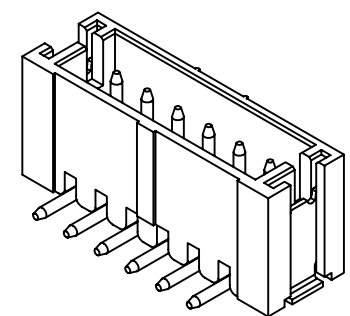
PART NO.	Dimensions	
	A	B
A1501WR-S-02P	1.50	4.50
A1501WR-S-03P	3.00	6.00
A1501WR-S-04P	4.50	7.50
A1501WR-S-05P	6.00	9.00
A1501WR-S-06P	7.50	10.50
A1501WR-S-07P	9.00	12.00
A1501WR-S-08P	10.50	13.50
A1501WR-S-09P	12.00	15.00
A1501WR-S-10P	13.50	16.50
A1501WR-S-11P	15.00	18.00
A1501WR-S-12P	16.50	19.50

Unit: mm

## A1501WW-S — 1.50mm pitch 90° Wafer — SMT TYPE

### Reference Informations:

- \*Material: Pin: Brass/Tin-plated  
Solder Tabs: Brass/Tin-plated  
Wafer: LCP/PA6T UL94V-0
- \*Mates with E.N A1501 series Housing



### Ordering Information & Dimensions

PART NO.	Dimensions	
	A	B
A1501WW-S-02P	1.50	4.50
A1501WW-S-03P	3.00	6.00
A1501WW-S-04P	4.50	7.50
A1501WW-S-05P	6.00	9.00
A1501WW-S-06P	7.50	10.50
A1501WW-S-07P	9.00	12.00
A1501WW-S-08P	10.50	13.50
A1501WW-S-09P	12.00	15.00
A1501WW-S-10P	13.50	16.50
A1501WW-S-11P	15.00	18.00
A1501WW-S-12P	16.50	19.50

Unit: mm