

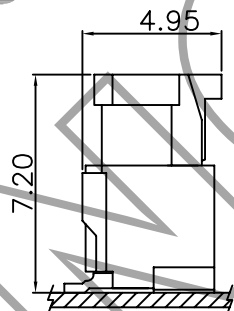
Specifications

Current rating: 1A AC,DC
 Voltage rating: 125V AC,DC
 Temperature range: -25°C ~ +85°C
 Contact resistance: 20mΩ Max.
 Insulation resistance: 100MΩ Min.
 Withstanding voltage: 500V AC/minute
 Contact E.N for Details

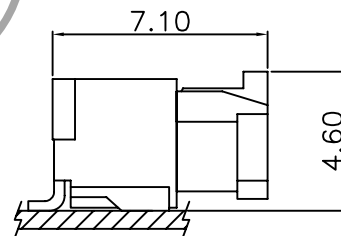
Standards



Assembly layout



A1256WV-S



A1256WR-S

Ordering code

A1256 - I P
 ① ② ③

- ① Series No.
- ② Plating code: T=Tin-plated, G=Gold-flash
- ③ Material: P=Phosphor bronze

A1256 H - NP
 ① ② ③

- ① Series No.
- ② H=Housing
- ③ No. of circuits

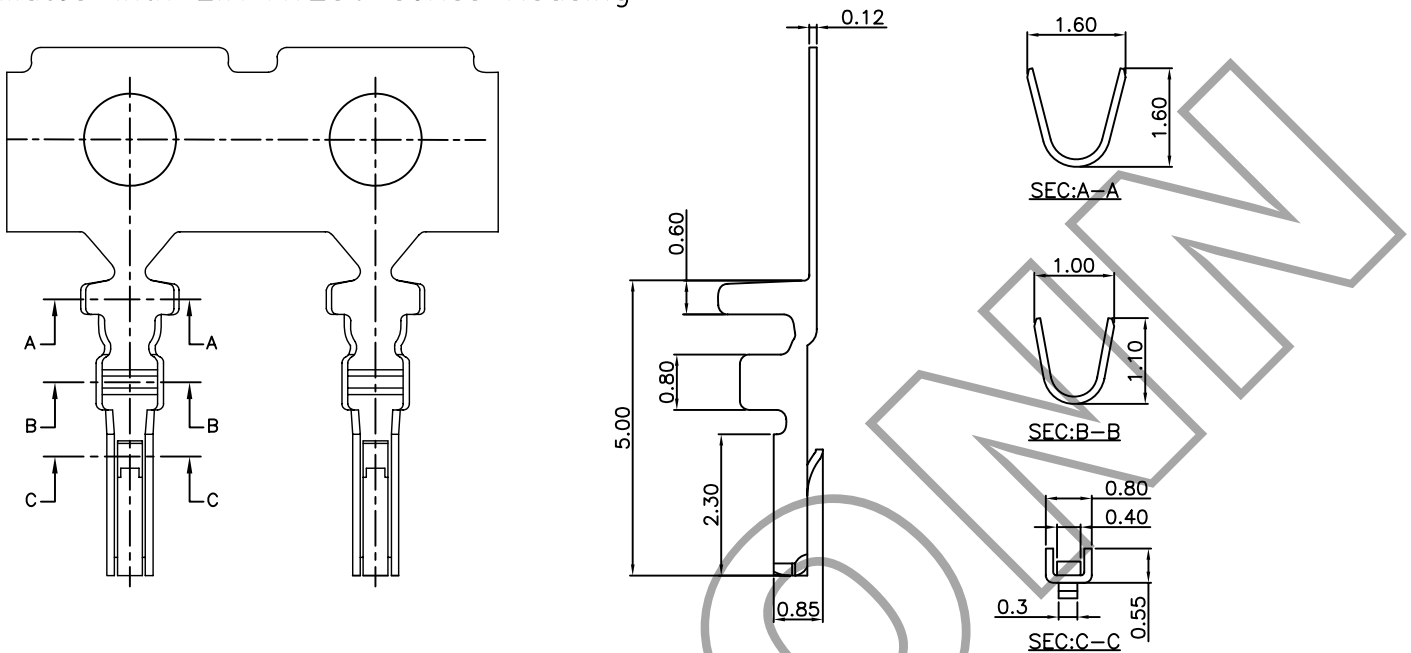
A1256 WR A -S - NP
 ① ② ③ ④ ⑤

- ① Series No.
- ② Connector type: WV=Vertical, WR=Right angle
- ③ Blank=Normal type
A=A type
- ④ Mounting type: Blank=Through hole
-S=SMT
- ⑤ No. of circuits

A1256-T — 1.25mm pitch Crimp Terminal

Reference Informations:

*Mates with E.N A1256 series Housing



Ordering Information & Specifications

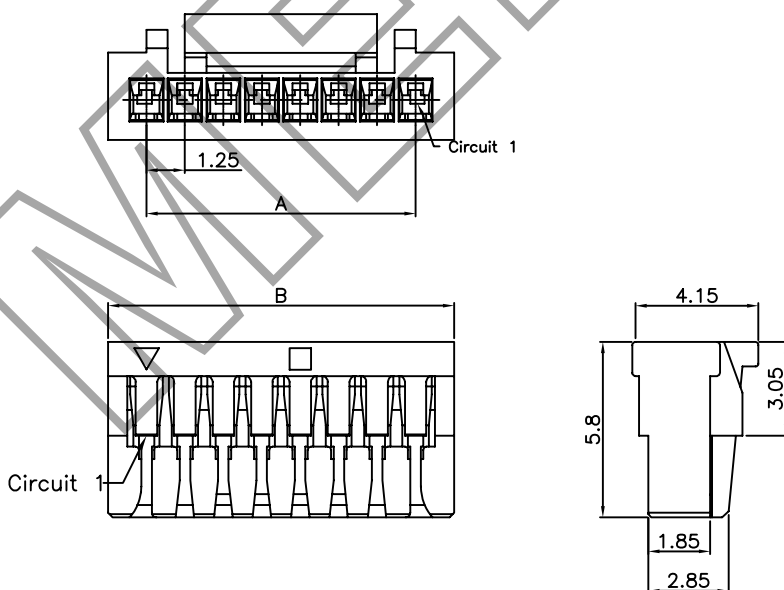
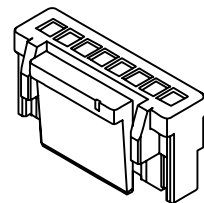
Unit: mm

Part No	Wire Range	Insulation O.D.	Material	Finish	Qty/reel
A1256-TP	AWG#26-#32	1.00mm(max)	Phosphor Bronze	Tin-plated	20,000pcs
A1256-PT	AWG#26-#32	1.00mm(max)	Phosphor Bronze	Tin-plated	20,000pcs

A1256H — 1.25mm pitch Housing

Reference Informations:

- *Material: PBT,UL94V-0
- *Suitable E.N A1256 series Terminal
- *Mates with E.N A1256 series Wafer



Ordering Information & Dimensions

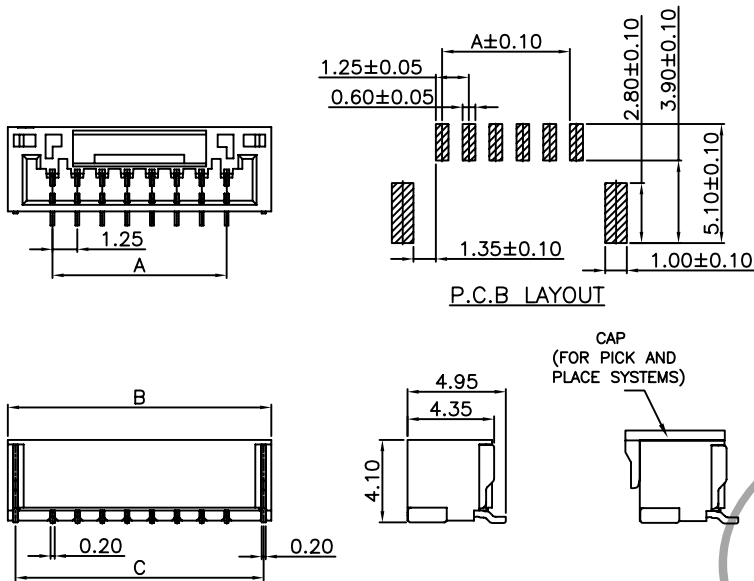
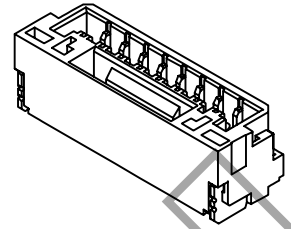
PART NO.	Dimensions	
	A	B
A1256H-02P	1.25	3.75
A1256H-03P	2.50	5.00
A1256H-04P	3.75	6.25
A1256H-05P	5.00	7.50
A1256H-06P	6.25	8.75
A1256H-07P	7.50	10.00
A1256H-08P	8.75	11.25
A1256H-09P	10.00	12.50
A1256H-10P	11.25	13.75
A1256H-11P	12.50	15.00
A1256H-12P	13.75	16.25
A1256H-13P	15.00	17.50
A1256H-14P	16.25	18.75
A1256H-15P	17.50	20.00
A1256H-16P	18.75	21.25
A1256H-17P	20.00	22.50
A1256H-18P	21.25	23.75

Unit: mm

A1256WV-S — 1.25mm pitch 180° Wafer

Reference Informations:

- *Material: Pin: Phosphor Bronze/Tin-plated
Wafer: Nylon 6T,UL94V-0
- *Mates with E.N A1256 series Housing



Ordering Information & Dimensions

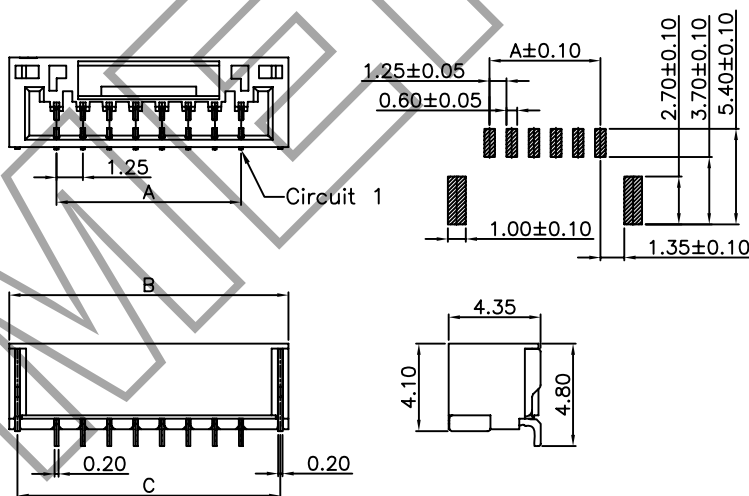
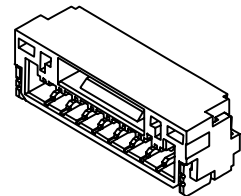
PART NO.	Dimensions		
	A	B	C
A1256WV-S-02P	1.25	5.75	4.95
A1256WV-S-03P	2.50	7.00	6.20
A1256WV-S-04P	3.75	8.25	7.45
A1256WV-S-05P	5.00	9.50	8.70
A1256WV-S-06P	6.25	10.75	9.95
A1256WV-S-07P	7.50	12.00	11.20
A1256WV-S-08P	8.75	13.25	12.45
A1256WV-S-09P	10.00	14.50	13.70
A1256WV-S-10P	11.25	15.75	14.95
A1256WV-S-11P	12.50	17.00	16.20
A1256WV-S-12P	13.75	18.25	17.45
A1256WV-S-13P	15.00	19.50	18.70
A1256WV-S-14P	16.25	20.75	19.95
A1256WV-S-15P	17.50	22.00	21.20
A1256WV-S-16P	18.75	23.25	22.45
A1256WV-S-17P	20.00	24.50	23.70
A1256WV-S-18P	21.25	25.75	24.95

Unit: mm

A1256WR-S — 1.25mm pitch 90° Wafer

Reference Informations:

- *Material: Pin: Phosphor Bronze/Tin-plated
Wafer: Nylon 6T,UL94V-0
- *Mates with E.N A1256 series Housing



Ordering Information & Dimensions

PART NO.	Dimensions		
	A	B	C
A1256WR-S-02P	1.25	5.75	4.95
A1256WR-S-03P	2.50	7.00	6.20
A1256WR-S-04P	3.75	8.25	7.45
A1256WR-S-05P	5.00	9.50	8.70
A1256WR-S-06P	6.25	10.75	9.95
A1256WR-S-07P	7.50	12.00	11.20
A1256WR-S-08P	8.75	13.25	12.45
A1256WR-S-09P	10.00	14.50	13.70
A1256WR-S-10P	11.25	15.75	14.95
A1256WR-S-11P	12.50	17.00	16.20
A1256WR-S-12P	13.75	18.25	17.45
A1256WR-S-13P	15.00	19.50	18.70
A1256WR-S-14P	16.25	20.75	19.95
A1256WR-S-15P	17.50	22.00	21.20
A1256WR-S-16P	18.75	23.25	22.45
A1256WR-S-17P	20.00	24.50	23.70
A1256WR-S-18P	21.25	25.75	24.95

Unit: mm