

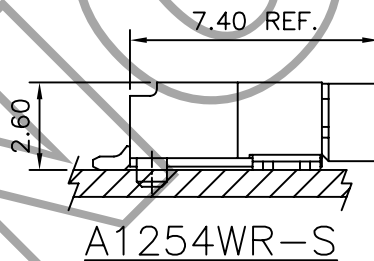
Specifications

Current rating: 1A AC,DC
 Voltage rating: 125V AC,DC
 Temperature range: -25°C ~ +85°C
 Contact resistance: 20mΩ Max.
 Insulation resistance: 100MΩ Min.
 Withstanding voltage: 500V AC/minute
 Contact E.N for Details

Standards



Assembly layout



Ordering code

A1254 - $\frac{I}{②}$ $\frac{P}{③}$

- ① Series No.
- ② Plating code: T=Tin-plated, G=Gold-flash
- ③ Material: P=Phosphor bronze

A1254 $\frac{WR-S}{②}$ $\frac{-F}{④}$ - $\frac{NP}{⑤}$

- ① Series No.
- ② Connector type: WV=Vertical, WR=Right angle
- ③ Blank=Normal type
A=A type
- ④ Mounting type: Blank=Through hole
-S=SMT
- ⑤ No. of circuits

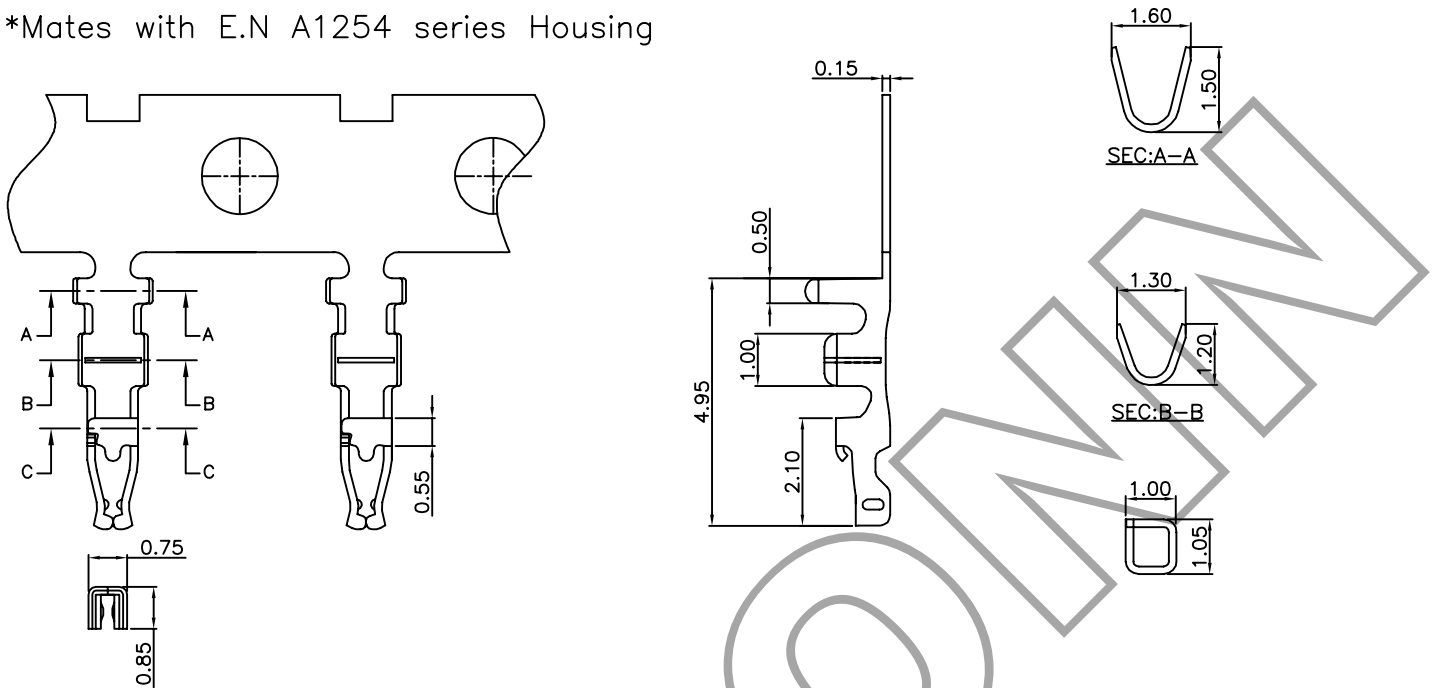
A1254 $\frac{H}{②}$ - $\frac{NP}{③}$

- ① Series No.
- ② H=Housing
- ③ No. of circuits

A1254-T — 1.25mm pitch Crimp Terminal

Reference Informations:

*Mates with E.N A1254 series Housing



Ordering Information & Specifications

Unit: mm

Part No	Wire Range	Insulation O.D.	Material	Finish	Qty/reel
A1254-TP	AWG#26-#32	1.00mm(max)	Phosphor Bronze	Tin-plated	10,000pcs
A1254-PT	AWG#26-#32	1.00mm(max)	Phosphor Bronze	Tin-plated	10,000pcs

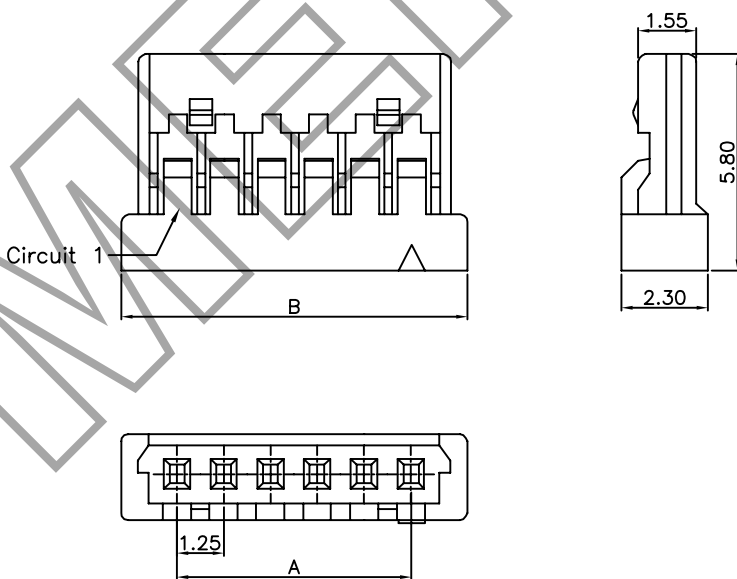
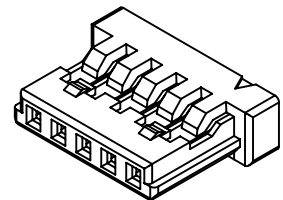
A1254H — 1.25mm pitch Housing

Reference Informations:

*Material: Nylon66,UL94V-0

*Suitable E.N A1254 series Terminal

*Mates with E.N A1254 series Wafer



Ordering Information & Dimensions

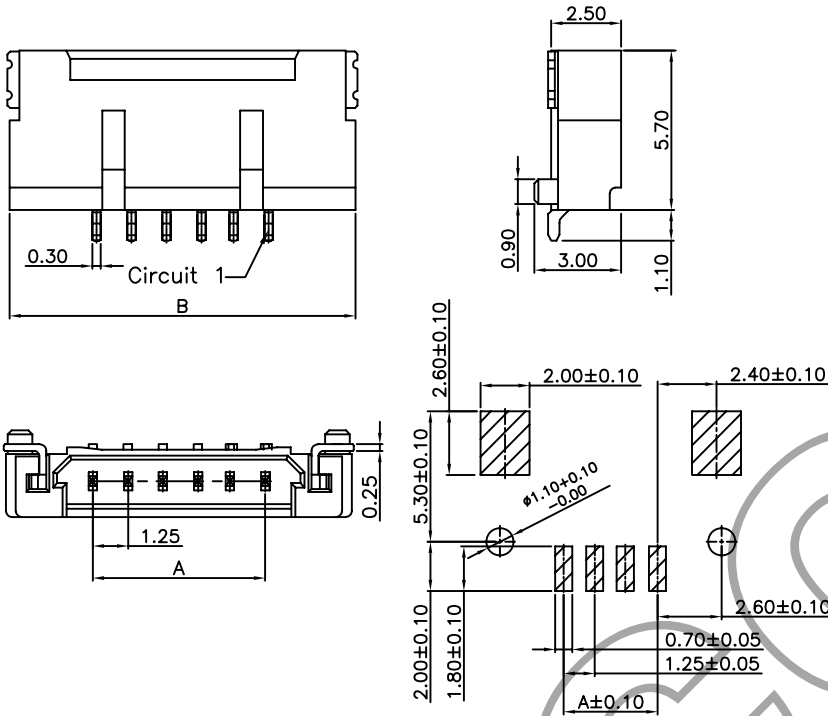
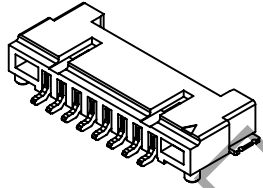
PART NO.	Dimensions	
	A	B
A1254H-02P	1.25	4.60
A1254H-03P	2.50	5.85
A1254H-04P	3.75	7.10
A1254H-05P	5.00	8.35
A1254H-06P	6.25	9.60
A1254H-07P	7.50	10.85
A1254H-08P	8.75	12.10
A1254H-09P	10.00	13.35
A1254H-10P	11.25	14.60
A1254H-11P	12.50	15.85
A1254H-12P	13.75	17.10
A1254H-13P	15.00	18.35
A1254H-14P	16.25	19.60
A1254H-15P	17.50	20.85
A1254H-16P	18.75	22.10
A1254H-17P	20.00	23.35
A1254H-18P	21.25	24.60

Unit: mm

A1254WR-S-F — 1.25mm pitch 90° Wafer-SMT TYPE

Reference Informations:

- *Material: Pin: Phosphor Bronze/Tin-plated
Wafer: Nylon 6T,UL94V-0
- *Mates with E.N A1254 series Housing



Ordering Information & Dimensions

PART NO.	Dimensions	
	A	B
A1254WR-S-F-02P	1.25	7.45
A1254WR-S-F-03P	2.50	8.70
A1254WR-S-F-04P	3.75	9.95
A1254WR-S-F-05P	5.00	11.20
A1254WR-S-F-06P	6.25	12.45
A1254WR-S-F-07P	7.50	13.70
A1254WR-S-F-08P	8.75	14.95
A1254WR-S-F-09P	10.00	16.20
A1254WR-S-F-10P	11.25	17.45
A1254WR-S-F-11P	12.50	18.70
A1254WR-S-F-12P	13.75	19.95
A1254WR-S-F-13P	15.00	21.20
A1254WR-S-F-14P	16.25	22.45
A1254WR-S-F-15P	17.50	23.70
A1254WR-S-F-16P	18.75	24.90
A1254WR-S-F-17P	20.00	26.20
A1254WR-S-F-18P	21.25	27.45

Unit: mm