

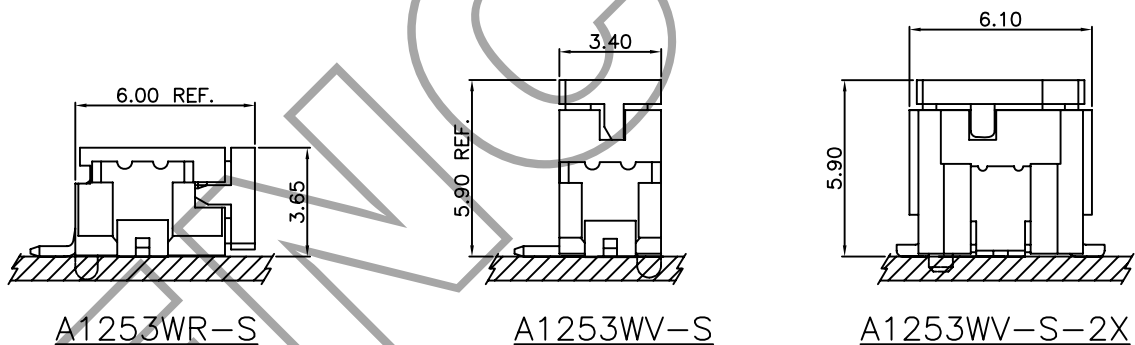
Specifications

Current rating: 1A AC,DC
 Voltage rating: 125V AC,DC
 Temperature range: -25°C ~ +85°C
 Contact resistance: 20mΩ Max.
 Insulation resistance: 100MΩ Min.
 Withstanding voltage: 500V AC/minute
 Contact E.N for Details

Standards



Assembly layout



Ordering code

A1253 - $\frac{T}{1}$ $\frac{P}{2}$

- ① Series No.
- ② Plating code: T=Tin-plated, G=Gold-flash
- ③ Material: P=Phosphor bronze

A1253 $\frac{WV-S}{2}$ $\frac{-F}{3}$ - $\frac{2XNP}{5}$

- ① Series No.
- ② Connector type: WV=Vertical, WR=Right angle
- ③ Blank=Normal type
A=A type
- ④ Mounting type: Blank=Through hole
-S=SMT
- ⑤ No. of circuits

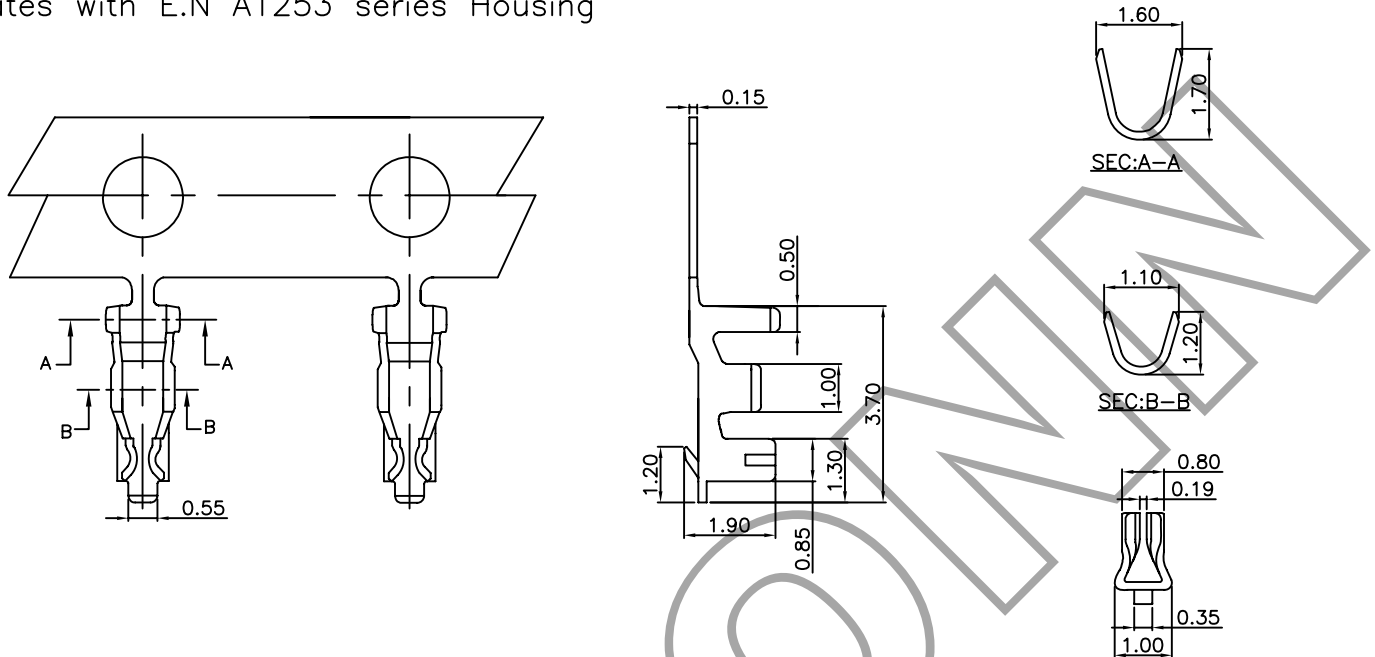
A1253 $\frac{H}{2}$ - $\frac{NP}{3}$

- ① Series No.
- ② H=Housing
- ③ No. of circuits

A1253-T — 1.25mm pitch Crimp Terminal

Reference Informations:

*Mates with E.N A1253 series Housing



Ordering Information & Specifications

Unit: mm

Part No	Wire Range	Insulation O.D.	Material	Finish	Qty/reel
A1253-TP	AWG#26-#32	1.00mm(max)	Phosphor Bronze	Tin-plated	10,000pcs
A1253-PT	AWG#26-#32	1.00mm(max)	Phosphor Bronze	Tin-plated	10,000pcs

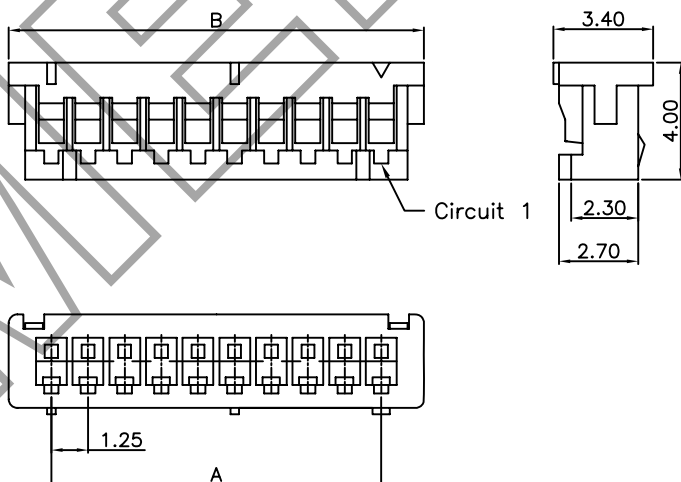
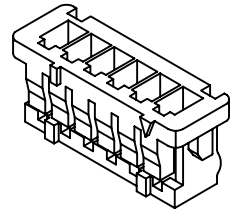
A1253H — 1.25mm pitch Housing

Reference Informations:

*Material: PA66,UL94V-0

*Suitable E.N A1253 series Terminal

*Mates with E.N A1253 series Wafer



Ordering Information & Dimensions

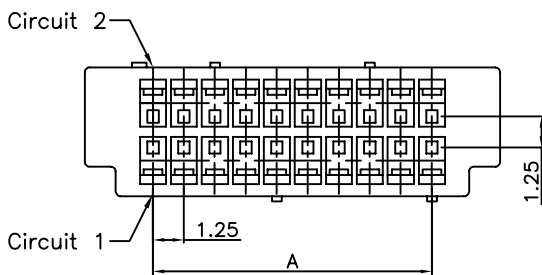
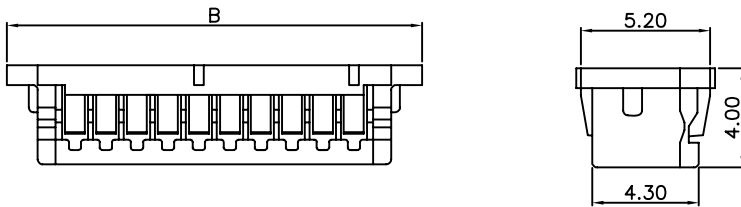
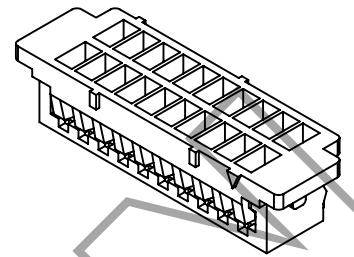
PART NO.	Dimensions	
	A	B
A1253H-02P	1.25	4.15
A1253H-03P	2.50	5.40
A1253H-04P	3.75	6.65
A1253H-05P	5.00	7.90
A1253H-06P	6.25	9.15
A1253H-07P	7.50	10.40
A1253H-08P	8.75	11.65
A1253H-09P	10.00	12.90
A1253H-10P	11.25	14.15
A1253H-11P	12.50	15.40
A1253H-12P	13.75	16.65
A1253H-13P	15.00	18.90
A1253H-14P	16.25	19.15
A1253H-15P	17.50	20.40
A1253H-16P	18.75	21.65
A1253H-17P	20.00	22.90
A1253H-18P	21.25	24.15

Unit: mm

A1253H-2XNP — 1.25mm pitch Housing

Reference Informations:

- *Material: PA66,UL94V-0
- *Suitable E.N A1253 series Terminal
- *Mates with E.N A1253 series Wafer



Ordering Information & Dimensions

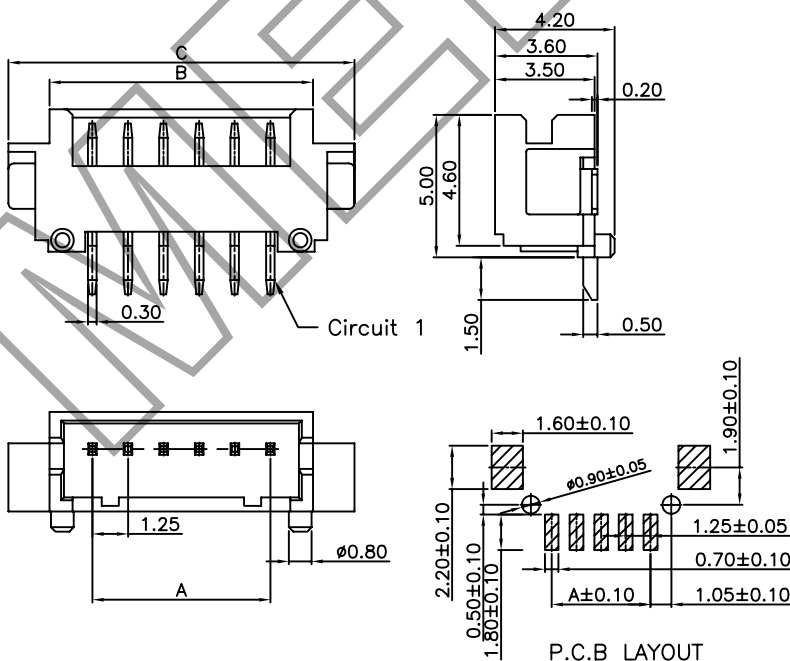
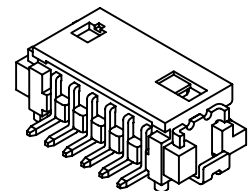
PART NO.	Dimensions	
	A	B
A1253H-2X05P	5.00	10.50
A1253H-2X07P	7.50	13.00
A1253H-2X10P	11.25	16.75
A1253H-2X15P	17.50	23.00
A1253H-2X20P	23.75	29.25

Unit: mm

A1253WR-S-F — 1.25mm pitch 90° Wafer — SMT TYPE

Reference Informations:

- *Material: Pin: Phosphor Bronze/Tin-plated
Wafer: Nylon 66,UL94V-0
- *Mates with E.N A1253 series Housing



Ordering Information & Dimensions

PART NO.	Dimensions		
	A	B	C
A1253WR-S-F-02P	1.25	4.25	7.15
A1253WR-S-F-03P	2.50	5.50	8.40
A1253WR-S-F-04P	3.75	6.75	9.65
A1253WR-S-F-05P	5.00	8.00	10.90
A1253WR-S-F-06P	6.25	9.25	12.15
A1253WR-S-F-07P	7.50	10.50	13.40
A1253WR-S-F-08P	8.75	11.75	14.65
A1253WR-S-F-09P	10.00	13.00	15.90
A1253WR-S-F-10P	11.25	14.25	17.15
A1253WR-S-F-11P	12.50	15.50	18.40
A1253WR-S-F-12P	13.75	16.75	19.65
A1253WR-S-F-13P	15.00	18.00	20.90
A1253WR-S-F-14P	16.25	19.25	22.15
A1253WR-S-F-15P	17.50	20.50	23.40
A1253WR-S-F-16P	18.75	21.75	24.65
A1253WR-S-F-17P	20.00	23.00	25.90
A1253WR-S-F-18P	21.25	24.25	27.15

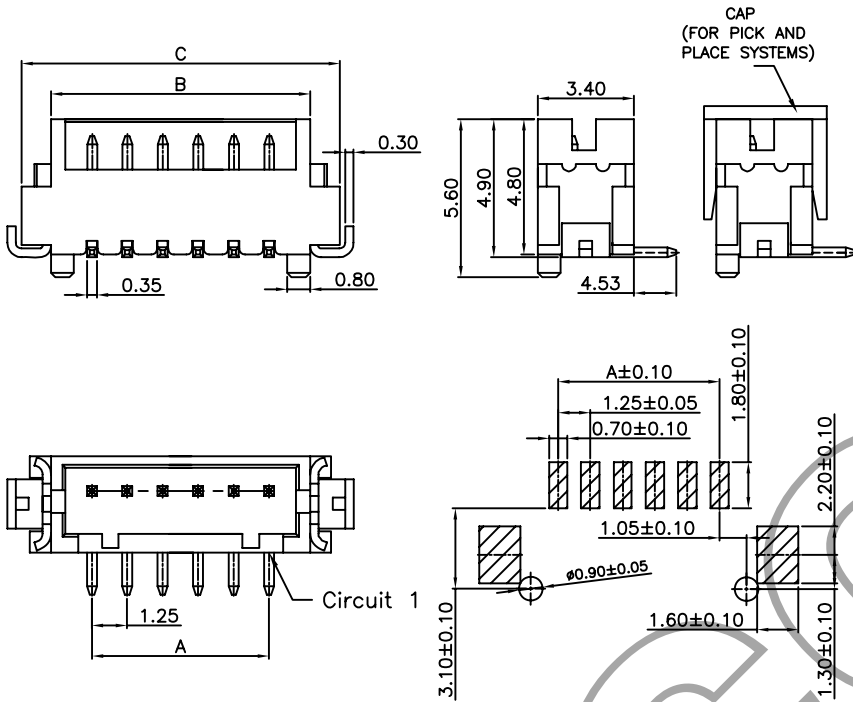
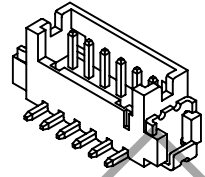
Unit: mm

A1253WV-S-F

— 1.25mm pitch 180° Wafer-SMT TYPE —

Reference Informations:

- *Material: Pin: Phosphor Bronze/Tin-plated
Wafer: Nylon 6T,UL94V-0
- *Mates with E.N A1253 series Housing



Ordering Information & Dimensions

PART NO.	Dimensions		
	A	B	C
A1253WV-S-02P	1.25	4.15	6.25
A1253WV-S-03P	2.50	5.40	7.50
A1253WV-S-04P	3.75	6.65	8.75
A1253WV-S-05P	5.00	7.90	10.00
A1253WV-S-06P	6.25	9.15	11.25
A1253WV-S-07P	7.50	10.40	12.50
A1253WV-S-08P	8.75	11.65	13.75
A1253WV-S-09P	10.00	12.90	15.00
A1253WV-S-10P	11.25	14.15	16.25
A1253WV-S-11P	12.50	15.40	17.50
A1253WV-S-12P	13.75	16.65	18.75
A1253WV-S-13P	15.00	17.90	20.00
A1253WV-S-14P	16.25	19.15	21.25
A1253WV-S-15P	17.50	20.40	22.50
A1253WV-S-16P	18.75	21.65	23.75
A1253WV-S-17P	20.00	22.90	25.00
A1253WV-S-18P	21.25	24.15	26.25

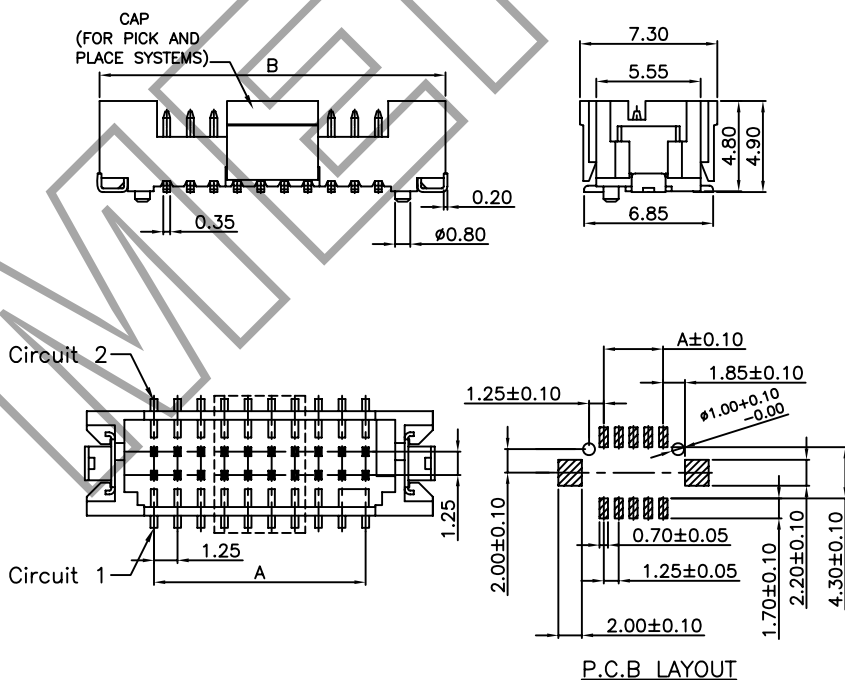
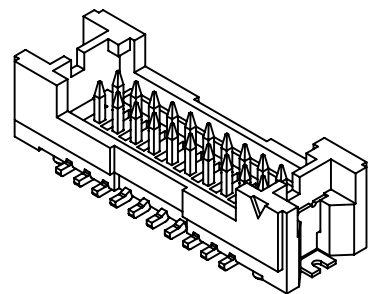
Unit: mm

A1253WV-S-F-2X

1.25mm pitch 180° Dual Row Wafer - SMT TYPE

Reference Informations:

- *Material: Pin: Phosphor Bronze/Tin-plated
Wafer: Nylon 66,UL94V-0
- *Mates with E.N A1251 series Housing



Ordering Information & Dimensions

PART NO.	Dimensions	
	A	B
A1253WV-S-F-2X05P	5.00	12.15
A1253WV-S-F-2X07P	7.50	14.65
A1253WV-S-F-2X10P	11.25	18.40
A1253WV-S-F-2X15P	17.50	24.65
A1253WV-S-F-2X20P	23.75	30.90

Unit: mm