

Specifications

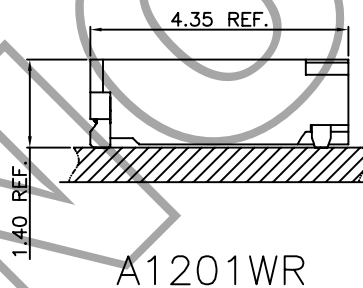
Current rating: 2A AC,DC
 Voltage rating: 125V AC,DC
 Temperature range: -25°C ~ +85°C
 Contact resistance: 20mΩ Max.
 Insulation resistance: 100MΩ Min.
 Withstanding voltage: 500V AC/minute
 Contact E.N for Details

Standards



E473953

Assembly layout



Ordering code

A1201 - I P
 ① ② ③

- ① Series No.
- ② Plating code: T=Tin-plated, G=Gold-flash
- ③ Material: P=Phosphor bronze

A1201 WR A -S - NP
 ① ② ③ ④ ⑤

- ① Series No.
- ② Connector type: WV=Vertical, WR=Right angle
- ③ Blank=Normal type
A=A type
- ④ Mounting type: Blank=Through hole
-S=SMT
- ⑤ No. of circuits

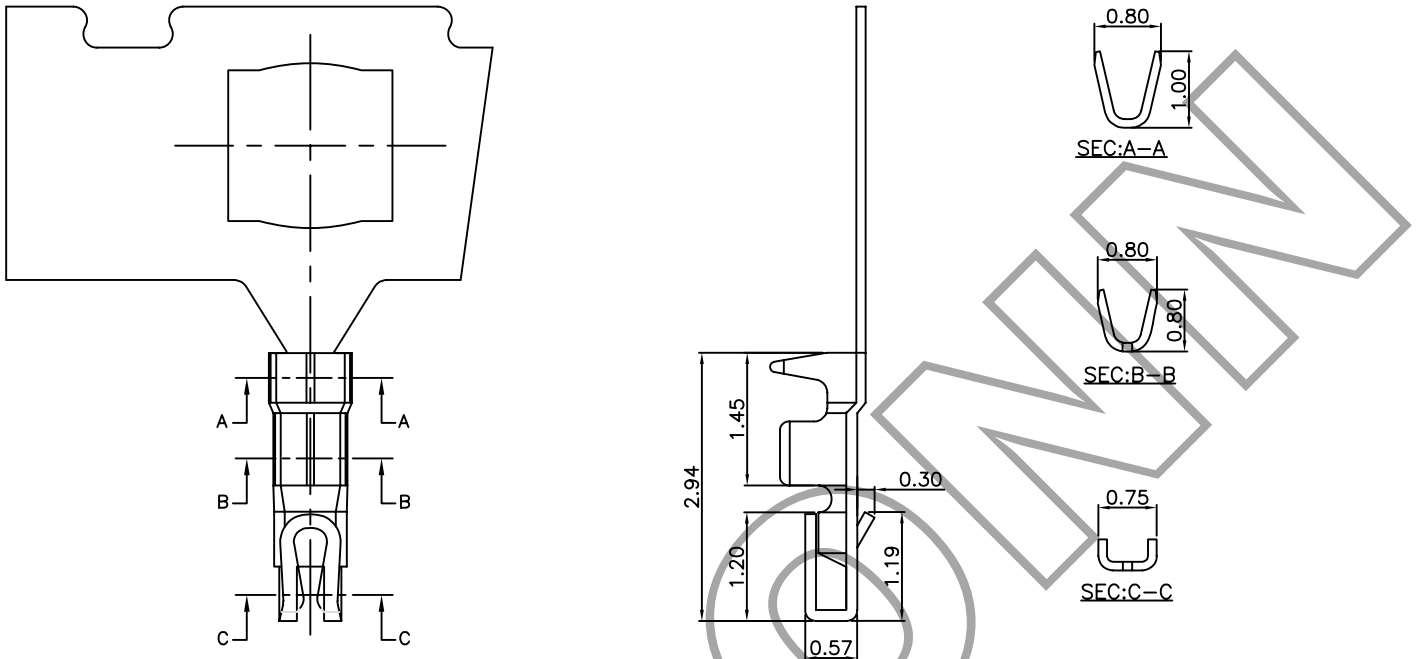
A1201 H - NP
 ① ② ③

- ① Series No.
- ② H=Housing
- ③ No. of circuits

A1201-T — 1.20mm pitch Crimp Terminal

Reference Informations:

*Mates with E.N A1201 series Housing



Ordering Information & Specifications

Unit: mm

Part No	Wire Range	Insulation O.D.	Material	Finish	Qty/reel
A1201-TP	AWG#28-#30	0.70mm(max)	Phosphor Bronze	Tin-plated	15,000pcs
A1201-PT	AWG#28-#30	0.70mm(max)	Phosphor Bronze	Tin-plated	15,000pcs

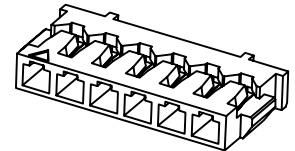
A1201H — 1.20mm pitch Housing

Reference Informations:

*Material: Nylon66,UL94V-0

*Suitable E.N A1201 series Terminal

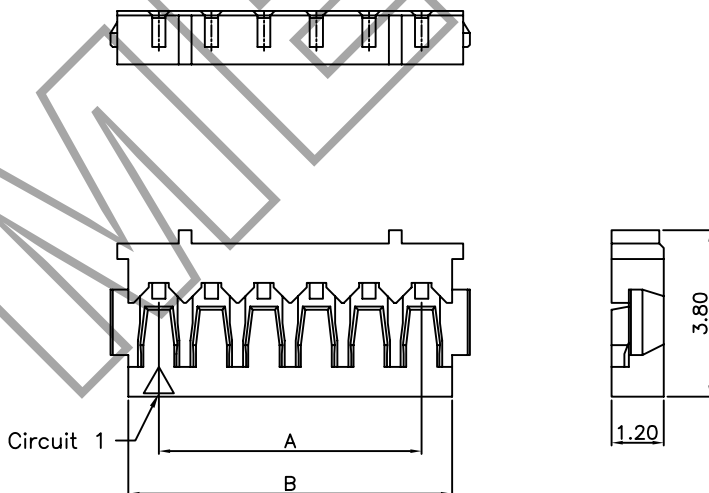
*Mates with E.N A1201 series Wafer



Ordering Information & Dimensions

PART NO.	Dimensions	
	A	B
A1201H-01P		1.40
A1201H-02P	1.20	2.60
A1201H-03P	2.40	3.80
A1201H-04P	3.60	5.00
A1201H-05P	4.80	6.20
A1201H-06P	6.00	7.40
A1201H-07P	7.20	8.60
A1201H-08P	8.40	9.80
A1201H-09P	9.60	11.00
A1201H-10P	10.80	12.20
A1201H-11P	12.00	13.40
A1201H-12P	13.20	14.60
A1201H-13P	14.40	15.80
A1201H-14P	15.60	17.00
A1201H-15P	16.80	18.20
A1201H-16P	18.00	19.40
A1201H-17P	19.20	20.60

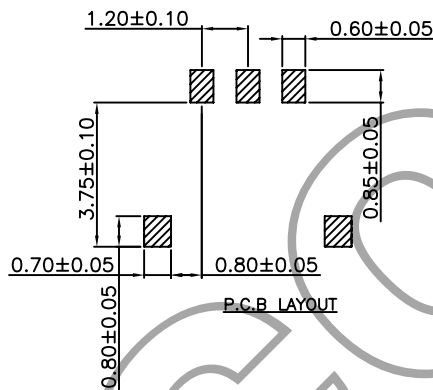
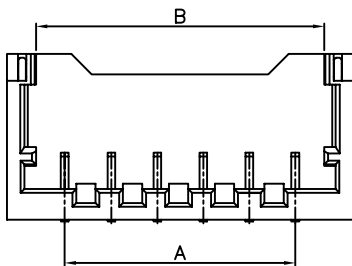
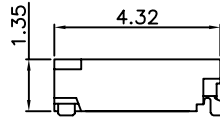
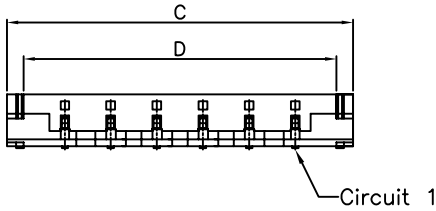
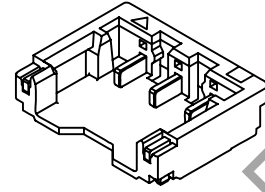
Unit: mm



A1201WR-S — 1.20mm pitch 90° Wafer — SMT TYPE

Reference Informations:

*Material: Pin: Phosphor Bronze/Tin-plated
 Wafer: Nylon 66,UL94V-0 *Mates with
 E.N A1201 series Housing



Ordering Information & Dimensions

PART NO.	Dimensions	
	A	B
A1201WR-S-02P	1.20	2.70
A1201WR-S-03P	2.40	3.90
A1201WR-S-04P	3.60	5.10
A1201WR-S-05P	4.80	6.30
A1201WR-S-06P	6.00	7.50
A1201WR-S-07P	7.20	8.70
A1201WR-S-08P	8.75	9.90
PART NO.	Dimensions	
	C	D
A1201WR-S-02P	4.20	3.20
A1201WR-S-03P	5.40	4.40
A1201WR-S-04P	6.60	5.60
A1201WR-S-05P	7.80	6.80
A1201WR-S-06P	9.00	8.00
A1201WR-S-07P	10.20	9.20
A1201WR-S-08P	11.40	10.40

Unit: mm