

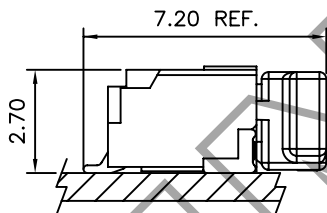
## Specifications

Current rating: 0.5~1A AC,DC  
 Voltage rating: 50V AC,DC  
 Temperature range: -25°C ~ +85°C  
 Contact resistance: 20mΩ Max.  
 Insulation resistance: 100MΩ Min.  
 Withstanding voltage: 500V AC/minute  
 \*Contact E.N for Details\*

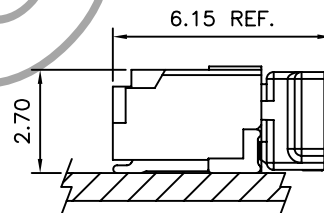
## Standards



## Assembly layout



DIP TYPE



## Ordering code

A1003 - I P  
 ① ② ③

- ① Series No.
- ② Plating code: T=Tin-plated, G=Gold-flash
- ③ Material: P=Phosphor bronze

A1003 H - 2XNP  
 ① ② ③ ④

- ① Series No.
- ② H=Housing
- ③ Blank=Single row, 2X=Dual row
- ④ No. of circuits

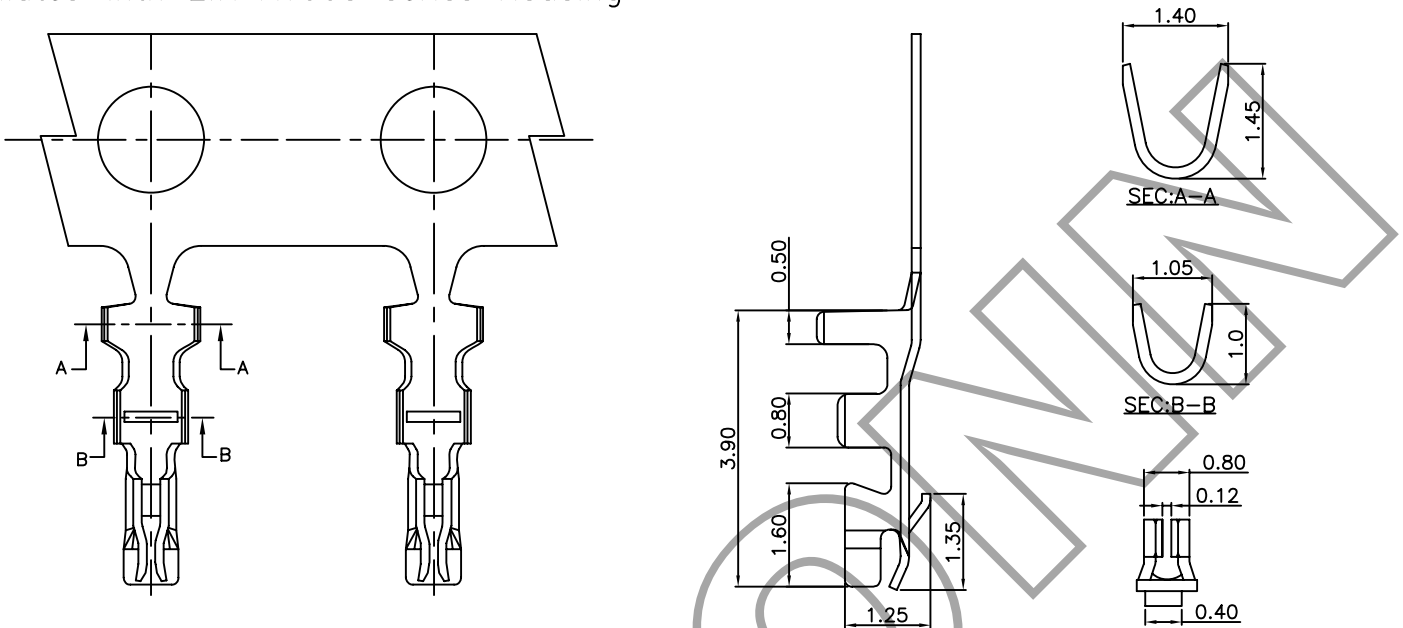
A1003 WR A -S - 2XNP  
 ① ② ③ ④ ⑤ ⑥

- ① Series No.
- ② Connector type: WV=Vertical, WR=Right angle
- ③ Blank=Normal type, A=Shell type
- ④ Mounting type: SF=SMT with boss  
S=SMT without boss
- ⑤ Blank=Single row, 2X=Dual row
- ⑥ No. of circuits

## A1003-T — 1.00mm pitch Crimp Terminal

### Reference Informations:

\*Mates with E.N A1003 series Housing



### Ordering Information & Specifications

Unit: mm

Part No	Wire Range	Insulation O.D.	Material	Finish	Qty/reel
A1003-TP	AWG#28-#32	0.80mm(max)	Phosphor Bronze	Tin-plated	15,000pcs
A1003-PT	AWG#28-#32	0.80mm(max)	Phosphor Bronze	Tin-plated	15,000pcs

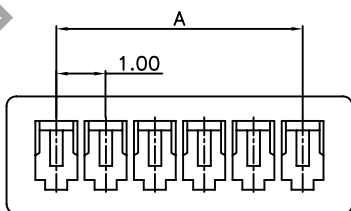
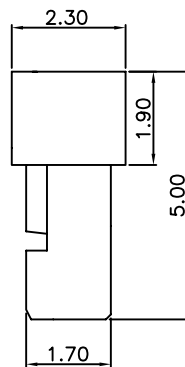
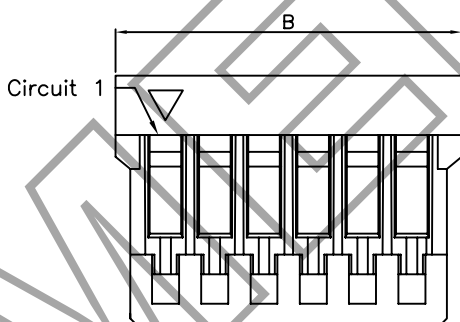
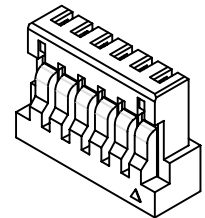
## A1003H — 1.00mm pitch Housing

### Reference Informations:

\*Material: PA66,UL94V-0

\*Suitable E.N A1003 series Terminal

\*Mates with E.N A1003 series Wafer



### Ordering Information & Dimensions

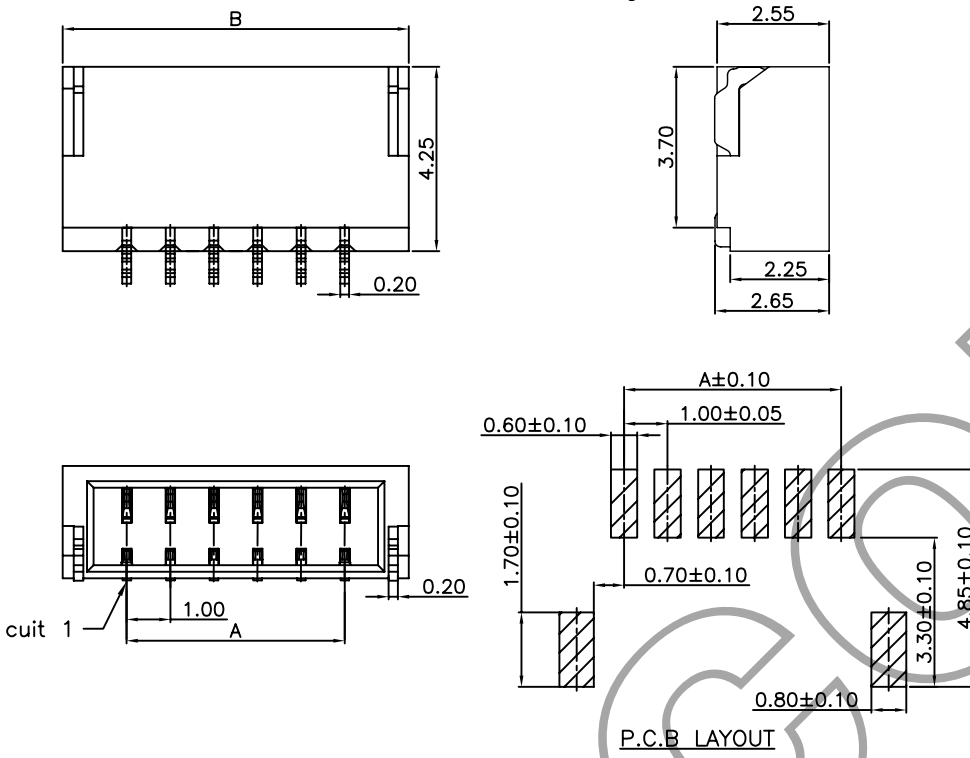
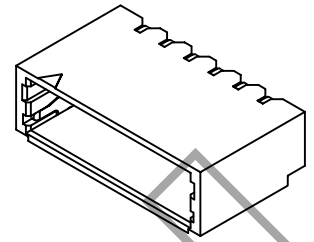
PART NO.	Dimensions	
	A	B
A1003H-02P	1.00	3.00
A1003H-03P	2.00	4.00
A1003H-04P	3.00	5.00
A1003H-05P	4.00	6.00
A1003H-06P	5.00	7.00
A1003H-07P	6.00	8.00
A1003H-08P	7.00	9.00
A1003H-09P	8.00	10.00
A1003H-10P	9.00	11.00
A1003H-11P	10.00	12.00
A1003H-12P	11.00	13.00
A1003H-13P	12.00	14.00
A1003H-14P	13.00	15.00
A1003H-15P	14.00	16.00
A1003H-16P	15.00	17.00
A1003H-17P	16.00	18.00
A1003H-18P	17.00	19.00
A1003H-19P	18.00	20.00
A1003H-20P	19.00	21.00

Unit: mm

## A1003WR-S — 1.00mm pitch 90° Wafer — SMT TYPE

### Reference Informations:

- \*Material: Pin: Phosphor Bronze/Tin-plated  
Solder Tabs: Phosphor Bronze/Tin-plated  
Wafer: PA6T,UL94V-0
- \*Mates with E.N A1003 series Housing



Ordering Information & Dimensions

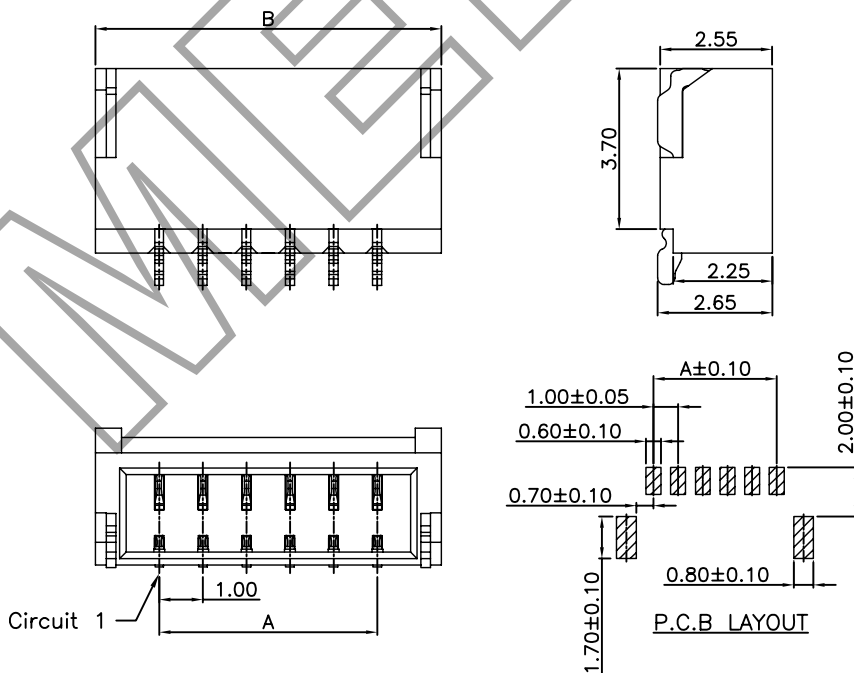
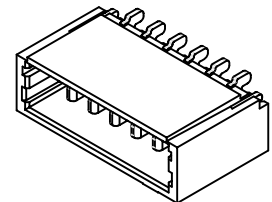
PART NO.	Dimensions	
	A	B
A1003WR-S-02P	1.00	4.00
A1003WR-S-03P	2.00	5.00
A1003WR-S-04P	3.00	6.00
A1003WR-S-05P	4.00	7.00
A1003WR-S-06P	5.00	8.00
A1003WR-S-07P	6.00	9.00
A1003WR-S-08P	7.00	10.00
A1003WR-S-09P	8.00	11.00
A1003WR-S-10P	9.00	12.00
A1003WR-S-11P	10.00	13.00
A1003WR-S-12P	11.00	14.00
A1003WR-S-13P	12.00	15.00
A1003WR-S-14P	13.00	16.00
A1003WR-S-15P	14.00	17.00
A1003WR-S-16P	15.00	18.00
A1003WR-S-17P	16.00	19.00
A1003WR-S-18P	17.00	20.00
A1003WR-S-19P	18.00	21.00
A1003WR-S-20P	19.00	22.00

Unit: mm

## A1003WRA-S — 1.00mm pitch 90° Wafer — SMT TYPE

### Reference Informations:

- \*Material: Pin: Phosphor Bronze/Tin-plated  
Solder Tabs: Phosphor Bronze/Tin-plated  
Wafer: PA6T,UL94V-0
- \*Mates with E.N A1003 series Housing



Ordering Information & Dimensions

PART NO.	Dimensions	
	A	B
A1003WRA-S-02P	1.00	4.00
A1003WRA-S-03P	2.00	5.00
A1003WRA-S-04P	3.00	6.00
A1003WRA-S-05P	4.00	7.00
A1003WRA-S-06P	5.00	8.00
A1003WRA-S-07P	6.00	9.00
A1003WRA-S-08P	7.00	10.00
A1003WRA-S-09P	8.00	11.00
A1003WRA-S-10P	9.00	12.00
A1003WRA-S-11P	10.00	13.00
A1003WRA-S-12P	11.00	14.00
A1003WRA-S-13P	12.00	15.00
A1003WRA-S-14P	13.00	16.00
A1003WRA-S-15P	14.00	17.00
A1003WRA-S-16P	15.00	18.00
A1003WRA-S-17P	16.00	19.00
A1003WRA-S-18P	17.00	20.00
A1003WRA-S-19P	18.00	21.00
A1003WRA-S-20P	19.00	22.00

Unit: mm